

AL084

High Brightness Area Light



- Aii** Intense illumination for long working distances or large area applications.
- Aii** Space saving design features mounting via two M6 nut channels

Ordering Information

Standard Product:
Shipped Next Day

AL084-WHI24-001

Configured for use with user supplied 24v power supply.

Standard Product Variation:
Shipped Within Two Weeks

AL084 -	XXX	XX	###
	Spectral wavelength	Optional power compatibility	Product Identifier*
	(blue) 470† (green) 530† (red) 625 (white) WHI†	12 24	Assigned by Ai

Optimal working distance:
304.8mm (12")

†Not available in 12v

Common Variations*

Standard Product Variations:
Shipped Within Two Weeks

AL084-62524-002 (Red)

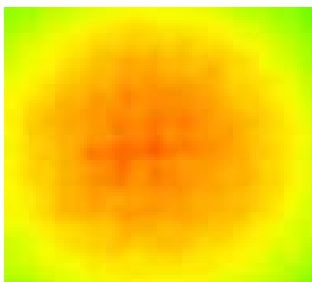
AL084-53024-003 (Green)

AL084-47024-004 (Blue)

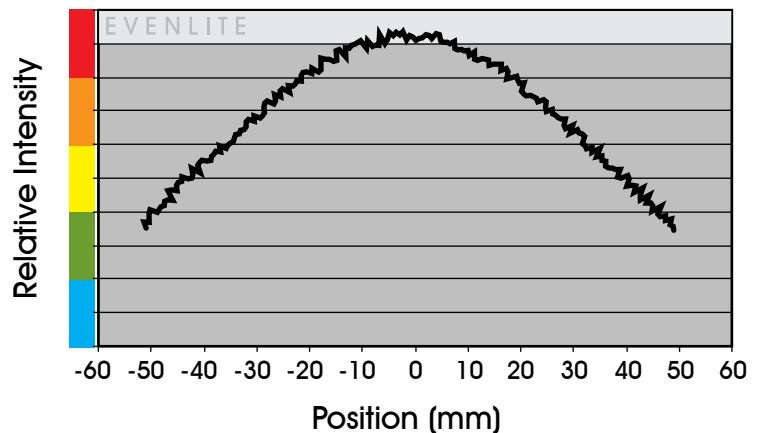
*Call Ai for Other Variations

Light Consistency Information

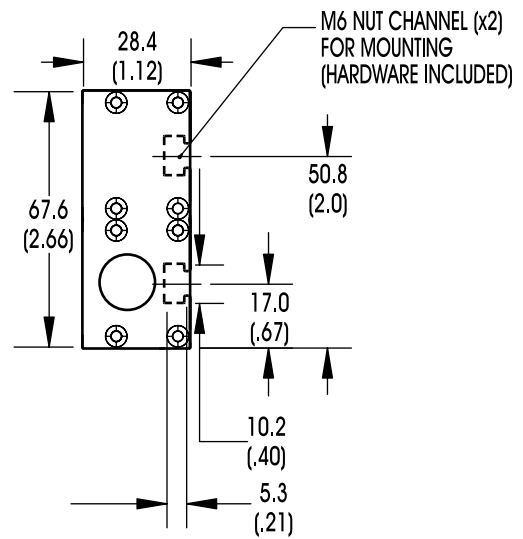
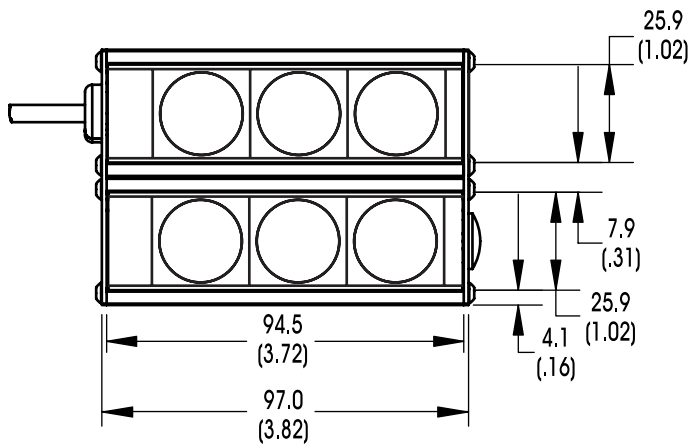
Intensity Distribution



Intensity Cross Section



Dimensional Information



Cable Length: 1.5 Meter (59")

DIMENSIONS ARE IN MILLIMETERS (INCHES)

Standard Variation Current Specifications

	blue	green	yellow	orange	red	infra-red	white	RGB	
@12	700	700	N/A	N/A	700	N/A	700	N/A	mA
@24	350	350	N/A	N/A	350	N/A	350	N/A	mA
Ai	400	400	N/A	N/A	400	N/A	400	N/A	

General Specifications

Weight:	226.8 g (8oz)
Finish:	Black Anodized
Operating Temperature:	0-60°C
Meets Specifications:	CE, RoHS

Standard Product Information

Red	Max. Illumination	Irradiance (mW/cm ²)	Illuminance (Lux)
	Working Distance: 300mm	320	5,800
	Working Distance: 600mm	125	2,200
	Lifetime	50,000 hrs	
White	Max. Illumination	Irradiance (mW/cm ²)	Illuminance (Lux)
	Working Distance: 300mm	525	21,400
	Working Distance: 600mm	180	7,400
	Lifetime	50,000 hrs	

Additional Information