

RL3536

Dark Field Ring Light



- Aii** Exceptional lighting for inspecting specular surfaces.
- Aii** Produces classic dark field illumination.

Ordering Information

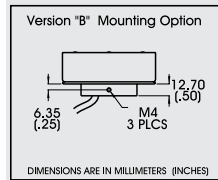
Standard Product:
Shipped Next Day

Standard Product Variation:
Shipped Within Two Weeks

RL3536

P/N: RL3536-660
Configured for use with Ai
Power Supply

Mounting Options	Spectral wavelength	Optional power Compatibility	Optional Light Conditioning
RL3536 X	-	XXX	XX
B	(blue) 470† (green) 520† (yellow) 590 (orange) 625 (red) 660 (infra-red) 880 (white) WHI†	12 24	D (Diffuser) P (Polarizer)

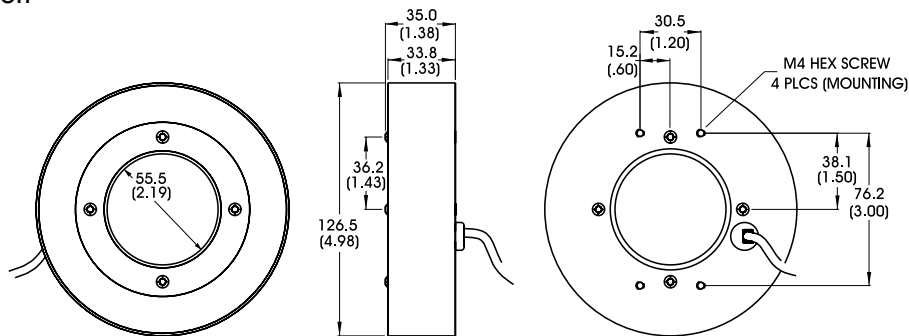


Optimal working distance:

76.2mm (3")
up to 152.4mm (6")

†Not available in 12v

Dimensional Information



DIMENSIONS ARE IN MILLIMETERS (INCHES)

Standard Variation Current Specifications

	blue	green	yellow	orange	red	infra-red	white	RGB	
@12	N/A	N/A	120	120	180	180	N/A	N/A	mA
@24	120	120	120	120	120	120	120	N/A	mA

Standard Product Information

Product Lifetime:	50,000 hours
Operating Temperature:	0-60° C