

RL3940

Apposelite



- Aii** Low angle illumination in a compact 100mm diameter housing.
- Aii** Solves a wide array of imaging problems where low angle of incidence, radial illumination is required.

Ordering Information

Standard Product:
Shipped Next Day

Standard Product Variation:
Shipped Within Two Weeks

RL3940

P/N: RL3940-660
Configured for use with Ai
Power Supply

RL3940

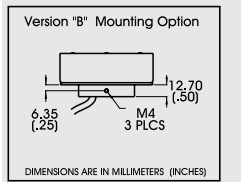
B

	Optional power Compatibility	
Spectral wavelength	X	XX
(blue) 470†		12
(green) 520†		24
(yellow) 590		
(orange) 625		
(red) 660		
(infra-red) 880		
(white) WHI†		

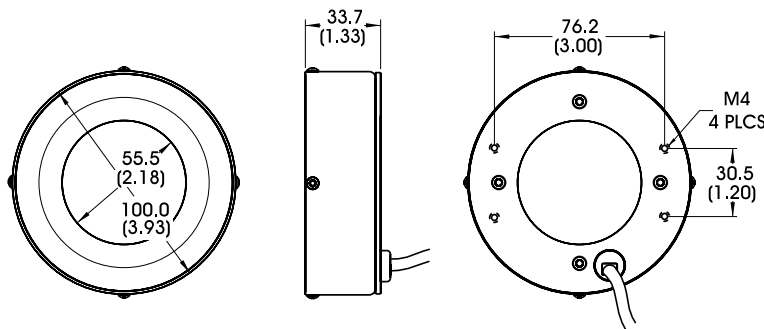
† Not available in 12v

Optimal working distance:

12.7mm (.5")
up to 152.4mm (6")



Dimensional Information



DIMENSIONS ARE IN MILLIMETERS (INCHES)

Standard Variation Current Specifications

	blue	green	yellow	orange	red	infra-red	white	RGB	
@12	N/A	N/A	200	200	360	420	N/A	N/A	mA
@24	280	280	120	120	180	240	280	N/A	mA

Standard Product Information

Product Lifetime:	50,000 hours
Operating Temperature:	0-60° C