



SL2420 Spot Light

- Ai** Ai's most popular spot light - intense illumination in a small package
- Ai** High contrast on non-reflective objects



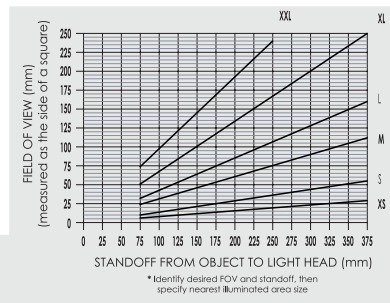
Ordering Information

Standard Product:
Shipped Next Day

Standard Product Variation:
Shipped Within Two Weeks

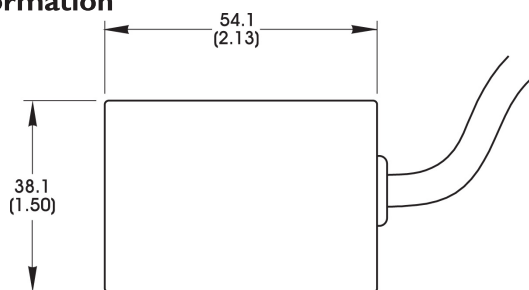
P/N: **SL2420-660100L**
Configured for use with
AI power supply

SL2420 -	Standard Offset		Opt. Power Comp.		
	Spectral Wavelength	Field of View	Opt. Light Cond.		
	XXX	XXX	XX	X	
	Blue 470 *	See chart to Compute standoff	12	D	
	Green 520 *		24	P	
	Yellow 590				
	Orange 625				
	Red 660				
	Infra-red 880				
	White WHI *				

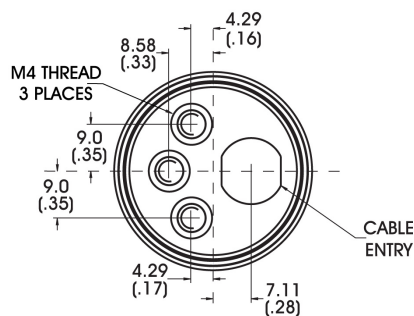


*Not available in 12v

Dimensional Information



Cable Length: 1.5 Meter (59")



DIMENSIONS ARE IN MILLIMETERS (INCHES)

Standard Variation Current Specifications

	(blue)	(green)	(yellow)	(orange)	(red)	(infra-red)	(white)	(RGB)	
@12v	N/A	N/A	80	80	120	130	N/A	N/A	mA
@24v	75	75	40	40	60	80	75	N/A	mA

Standard Product Information

Product Lifetime: 50,000 hours

Operating Temperature: 0-60° C