



**For Security
Fish-Eye**

Applicable camera (model)

FE185C046HA-1

1	2/3	1/2	1/3	1/4
---	-----	-----	-----	-----

FISH-EYE LENSES

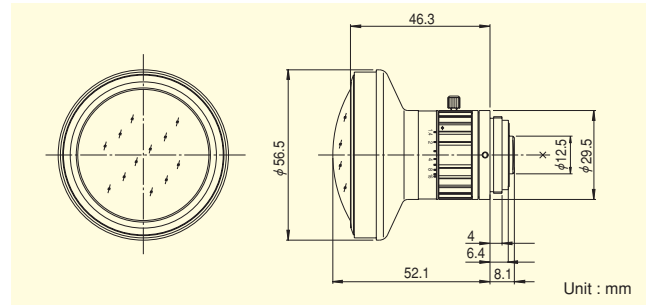
- FIXED**
Fixed Focal
- Fish-Eye 185°**
Fish-Eye
- 5 Mega**
For Megapixel Camera
- MANUAL**
Manual Iris
- C-mt**
C Mount
- METAL**
Metal Mount
- F1.4**
Wide Aperture Rate



NEW

*Photograph is a similar model.

- High-resolution design, providing support for up to 5 megapixel camera resolution.
- Super wide angle of 185 degrees that eliminates dead angles and enables effective, wide-area surveillance.
- Designed with the f-theta system, most suited for uniform displaying of images. Allows high-quality image display, partial enlargement, and conversion to ordinary-looking images to be performed easily with imaging software.



Focal Length (mm)		1.4
Iris Range		F1.4 ~ F16
Operation	Focus	Fixed
	Iris	Manual
Angle Of View (H×V)	1/2"	185° × 185° (φ4.6mm)
	1/3"	185° × 144°47'
	1/4"	144°47' × 108°35'
Focusing Range (From Front Of The Lens) (m)		∞ ~ 0.1
Back Focal Distance (in air) (mm)		9.70
Exit Pupil Position (From Image Plane) (mm)		-830
Filter Thread (mm)		—
Mount		C
Mass (g)		140
Remarks		•With Metal Mount •With Locking Knob for Iris

[Fish-Eye Lens Image]



**For Security
Fish-Eye**

Applicable camera (model)

FE185C057HA-1

1	2/3	1/2	1/3	1/4
---	-----	-----	-----	-----

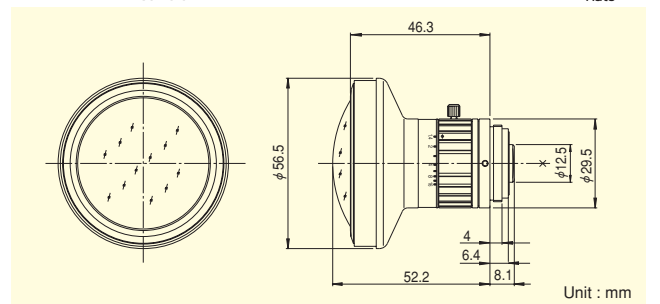
- FIXED**
Fixed Focal
- Fish-Eye 185°**
Fish-Eye
- 5 Mega**
For Megapixel Camera
- MANUAL**
Manual Iris
- C-mt**
C Mount
- METAL**
Metal Mount
- F1.4**
Wide Aperture Rate



NEW

*Photograph is a similar model.

- High-resolution design, providing support for up to 5 megapixel camera resolution.
- Super wide angle of 185 degrees that eliminates dead angles and enables effective, wide-area surveillance.
- Designed with the f-theta system, most suited for uniform displaying of images. Allows high-quality image display, partial enlargement, and conversion to ordinary-looking images to be performed easily with imaging software.



Focal Length (mm)		1.8
Iris Range		F1.4 ~ F16
Operation	Focus	Fixed
	Iris	Manual
Angle Of View (H×V)	2/3"	185° × 185° (φ5.7mm)
	1/2"	185°01' × 154°08'
	1/3"	154°08' × 115°27'
Focusing Range (From Front Of The Lens) (m)		∞ ~ 0.2
Back Focal Distance (in air) (mm)		9.70
Exit Pupil Position (From Image Plane) (mm)		-61
Filter Thread (mm)		—
Mount		C
Mass (g)		135
Remarks		•With Metal Mount •With Locking Knob for Iris

[Fish-Eye Lens Image]





For FA/Machine Vision Fixed Focal

DF6HA-1B

Applicable camera (model)

1	2/3	1/2	1/3	1/4
---	-----	-----	-----	-----

FIXED
Fixed Focal

WIDE
Wide Angle

1.5 Mega
For Megapixel
Camera

MANUAL
Manual Iris

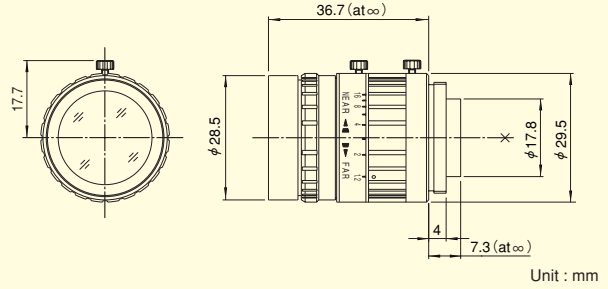
C-mt
C Mount

METAL
Metal Mount

F1.2
Wide Aperture
Rate



- High-resolution design, providing support for up to 1.5 megapixel camera resolution.
- Low-distortion design achieving accurate image input.
- Compact, lightweight and robust design, supporting various systems.
- Focus & iris lock tab provided, supporting environments such as vibration.



Focal Length (mm)		6
Iris Range		F1.2 ~ F16
Operation	Focus	Manual
	Iris	Manual
Angle Of View (H×V)	1/2"	56°09' × 43°36'
	1/3"	43°36' × 33°24'
	1/4"	33°24' × 25°22'
Focusing Range (From Front Of The Lens) (m)		∞ ~ 0.1
Object Dimensions at M.O.D. (H×V) (mm)	1/2"	122 × 92
	1/3"	92 × 69
	1/4"	69 × 52
Back Focal Distance (in air) (mm)		11.44
Exit Pupil Position (From Image Plane) (mm)		-46
Filter Thread (mm)		M27 × 0.5
Mount		C
Mass (g)		55

Remarks

- With Metal Mount
- With Locking Knob for Iris and Focus



For FA/Machine Vision Fixed Focal

HF9HA-1B

Applicable camera (model)

1	2/3	1/2	1/3	1/4
---	-----	-----	-----	-----

FIXED
Fixed Focal

WIDE
Wide Angle

1.5 Mega
For Megapixel
Camera

MANUAL
Manual Iris

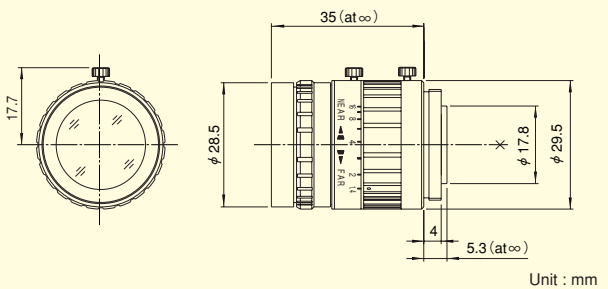
C-mt
C Mount

METAL
Metal Mount

F1.4
Wide Aperture
Rate



- High-resolution design, providing support for up to 1.5 megapixel camera resolution.
- Low-distortion design achieving accurate image input.
- Compact, lightweight and robust design, supporting various systems.
- Focus & iris lock tab provided, supporting environments such as vibration.



Focal Length (mm)		9
Iris Range		F1.4 ~ F16
Operation	Focus	Manual
	Iris	Manual
Angle Of View (H×V)	2/3"	52°06' × 40°16'
	1/2"	39°09' × 29°52'
	1/3"	29°52' × 22°37'
Focusing Range (From Front Of The Lens) (m)		∞ ~ 0.1
Object Dimensions at M.O.D. (H×V) (mm)	2/3"	108 × 81
	1/2"	79 × 59
	1/3"	59 × 44
Back Focal Distance (in air) (mm)		13.48
Exit Pupil Position (From Image Plane) (mm)		-27.9
Filter Thread (mm)		M27 × 0.5
Mount		C
Mass (g)		55

Remarks

- With Metal Mount
- With Locking Knob for Iris and Focus