



**For Security
Fish-Eye**

FE185C086HA-1

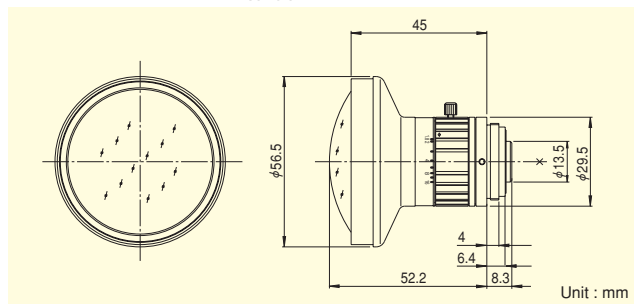
1	1/3	1/2	2/3	1/4
---	-----	-----	-----	-----



*Photograph is a similar model.

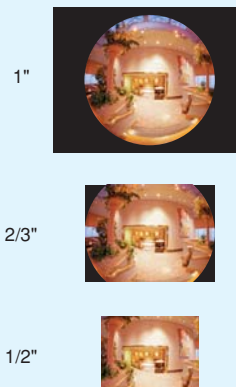
- High-resolution design, providing support for up to 5 megapixel camera resolution.
- Super wide angle of 185 degrees that eliminates dead angles and enables effective, wide-area surveillance.
- Designed with the f-theta system, most suited for uniform displaying of images. Allows high-quality image display, partial enlargement, and conversion to ordinary-looking images to be performed easily with imaging software.

FIXED Fixed Focal	Fish-Eye 185° Fish-Eye	5 Mega For Megapixel Camera	MANUAL Manual Iris	C-mt C Mount	METAL Metal Mount
-----------------------------	----------------------------------	---------------------------------------	------------------------------	------------------------	-----------------------------



Focal Length (mm)		2.7
Iris Range		F1.8 ~ F16
Operation	Focus	Fixed
	Iris	Manual
Angle Of View (H×V)	1"	185° × 185° (φ8.6mm)
	2/3"	185° × 140°35'
	1/2"	136°18' × 102°19'
Focusing Range (From Front Of The Lens) (m)		∞ ~ 0.2
Back Focal Distance (in air) (mm)		9.75
Exit Pupil Position (From Image Plane) (mm)		-49
Filter Thread (mm)		—
Mount		C
Mass (g)		160
Remarks	•With Metal Mount •With Locking Knob for Iris	

[Fish-Eye Lens Image]





For FA/Machine Vision
Fixed Focal

CF12.5HA-1

Applicable camera (model)

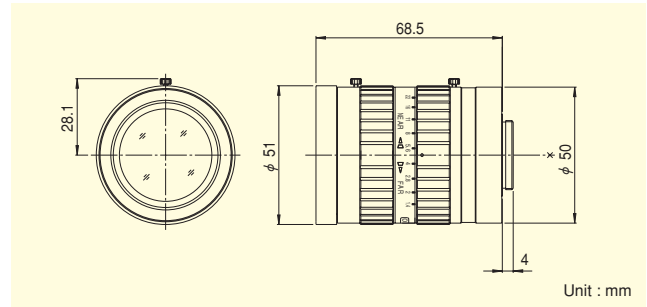
1	2/3	1/2	1/3	1/4
---	-----	-----	-----	-----

NEW



- High-resolution design, providing support for up to 1.5 megapixel camera resolution.
- Rear focusing system provides improved performance in macro photography.
- Wide-aperture (F1.4) design achieves clear images under low light intensity.
- Low-distortion design achieving accurate image input.
- Robust enclosure resistant to vibrations and shocks. Equipped with locking knobs for the iris and the focus.

FIXED
Fixed Focal
1.5 Mega
For Megapixel Camera
MANUAL
Manual Iris
C-mt
C Mount
METAL
Metal Mount
F1.4
Wide Aperture Rate



Focal Length (mm)		12.5
Iris Range		F1.4 ~ F22
Operation	Focus	Manual
	Iris	Manual
Angle Of View (H×V)	1"	54°13' × 42°01'
	2/3"	38°47' × 29°35'
	1/2"	28°43' × 21°44'
Focusing Range (From Front Of The Lens) (m)		∞ ~ 0.1
Object Dimensions at M.O.D. (H×V) (mm)	1"	120 × 90
	2/3"	83 × 62
	1/2"	60 × 45
Back Focal Distance (in air) (mm)		16.07
Exit Pupil Position (From Image Plane) (mm)		-101
Filter Thread (mm)		M49 × 0.75
Mount		C
Mass (g)		290

Remarks
 • With Metal Mount
 • With Locking Knob for Iris and Focus

FIXED FOCAL LENGTH LENSES



For FA/Machine Vision
Fixed Focal

CF16HA-1

Applicable camera (model)

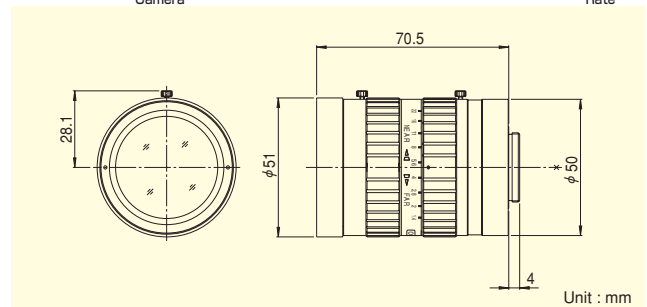
1	2/3	1/2	1/3	1/4
---	-----	-----	-----	-----

NEW



- High-resolution design, providing support for up to 1.5 megapixel camera resolution.
- Rear focusing system provides improved performance in macro photography.
- Wide-aperture (F1.4) design achieves clear images under low light intensity.
- Low-distortion design achieving accurate image input.
- Robust enclosure resistant to vibrations and shocks. Equipped with locking knobs for the iris and the focus.

FIXED
Fixed Focal
1.5 Mega
For Megapixel Camera
MANUAL
Manual Iris
C-mt
C Mount
METAL
Metal Mount
F1.4
Wide Aperture Rate



Focal Length (mm)		16
Iris Range		F1.4 ~ F22
Operation	Focus	Manual
	Iris	Manual
Angle Of View (H×V)	1"	43°36' × 33°24'
	2/3"	30°45' × 23°18'
	1/2"	22°37' × 17°04'
Focusing Range (From Front Of The Lens) (m)		∞ ~ 0.1
Object Dimensions at M.O.D. (H×V) (mm)	1"	100 × 75
	2/3"	69 × 51
	1/2"	50 × 37
Back Focal Distance (in air) (mm)		17.99
Exit Pupil Position (From Image Plane) (mm)		-172
Filter Thread (mm)		M49 × 0.75
Mount		C
Mass (g)		280

Remarks
 • With Metal Mount
 • With Locking Knob for Iris and Focus



For FA/Machine Vision
Fixed Focal

CF25HA-1

Applicable camera (model)

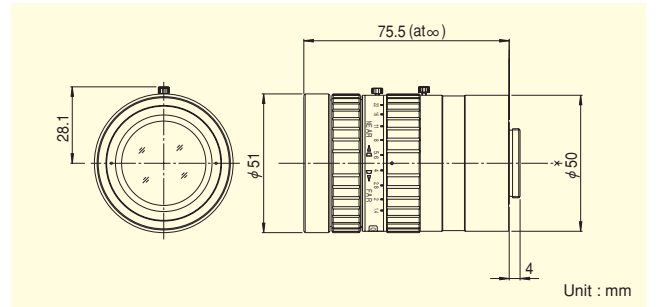
1	2/3	1/2	1/3	1/4
---	-----	-----	-----	-----

NEW

- FIXED
Fixed Focal
- 1.5 Mega
For Megapixel Camera
- MANUAL
Manual Iris
- C-mt
C Mount
- METAL
Metal Mount
- F1.4
Wide Aperture Rate



- High-resolution design, providing support for up to 1.5 megapixel camera resolution.
- Wide-aperture (F1.4) design achieves clear images under low light intensity.
- Low-distortion design achieving accurate image input.
- Robust enclosure resistant to vibrations and shocks. Equipped with locking knobs for the iris and the focus.



Focal Length (mm)		25
Iris Range		F1.4 ~ F22
Operation	Focus	Manual
	Iris	Manual
Angle Of View (H×V)	1"	28°43' × 21°44'
	2/3"	19°58' × 15°02'
	1/2"	14°35' × 10°58'
Focusing Range (From Front Of The Lens) (m)		∞ ~ 0.1
Object Dimensions at M.O.D. (H×V) (mm)	1"	65 × 48
	2/3"	44 × 33
	1/2"	32 × 24
Back Focal Distance (in air) (mm)		22.32
Exit Pupil Position (From Image Plane) (mm)		-140
Filter Thread (mm)		M49 × 0.75
Mount		C
Mass (g)		310

- Remarks
- With Metal Mount
 - With Locking Knob for Iris and Focus

FIXED FOCAL LENGTH LENSES



For FA/Machine Vision
Fixed Focal

CF35HA-1

Applicable camera (model)

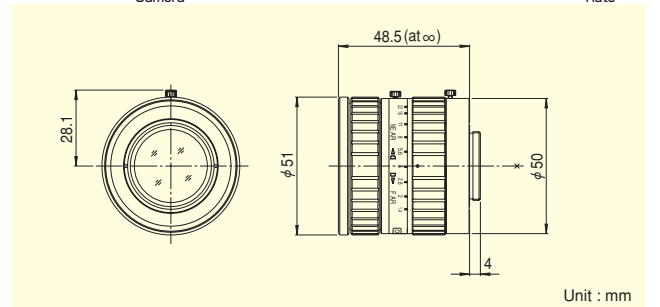
1	2/3	1/2	1/3	1/4
---	-----	-----	-----	-----

NEW

- FIXED
Fixed Focal
- 1.5 Mega
For Megapixel Camera
- MANUAL
Manual Iris
- C-mt
C Mount
- METAL
Metal Mount
- F1.4
Wide Aperture Rate



- High-resolution design, providing support for up to 1.5 megapixel camera resolution.
- Wide-aperture (F1.4) design achieves clear images under low light intensity.
- Low-distortion design achieving accurate image input.
- Robust enclosure resistant to vibrations and shocks. Equipped with locking knobs for the iris and the focus.



Focal Length (mm)		35
Iris Range		F1.4 ~ F22
Operation	Focus	Manual
	Iris	Manual
Angle Of View (H×V)	1"	20°43' × 15°37'
	2/3"	14°20' × 10°46'
	1/2"	10°27' × 7°51'
Focusing Range (From Front Of The Lens) (m)		∞ ~ 0.2
Object Dimensions at M.O.D. (H×V) (mm)	1"	73 × 55
	2/3"	50 × 38
	1/2"	37 × 27
Back Focal Distance (in air) (mm)		14.99
Exit Pupil Position (From Image Plane) (mm)		-37
Filter Thread (mm)		M49 × 0.75
Mount		C
Mass (g)		180

- Remarks
- With Metal Mount
 - With Locking Knob for Iris and Focus



For FA/Machine Vision
Fixed Focal

CF50HA-1

Applicable camera (model)

1	2/3	1/2	1/3	1/4
---	-----	-----	-----	-----

NEW



- High-resolution design, providing support for up to 1.5 megapixel camera resolution.
- Wide-aperture (F1.8) design achieves clear images under low light intensity, despite the long focal distance.
- Low-distortion design achieving accurate image input.
- Robust enclosure resistant to vibrations and shocks. Equipped with locking knobs for the iris and the focus.

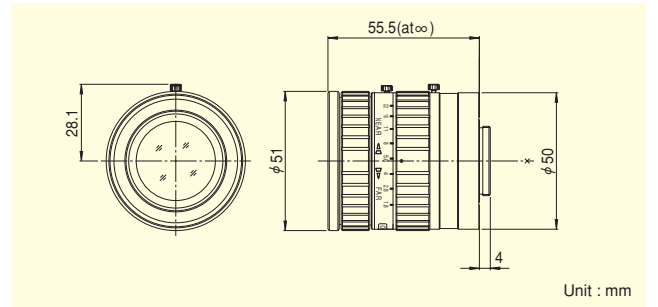
FIXED
Fixed Focal

1.5 Mega
For Megapixel Camera

MANUAL
Manual Iris

C-mt
C Mount

METAL
Metal Mount



Focal Length (mm)		50
Iris Range		F1.8 ~ F22
Operation	Focus	Manual
	Iris	Manual
Angle Of View (H×V)	1"	14°35' × 10°58'
	2/3"	10°03' × 7°33'
	1/2"	7°19' × 5°30'
Focusing Range (From Front Of The Lens) (m)		∞ ~ 0.4 *1
Object Dimensions at M.O.D. (H×V) (mm)	1"	101 × 76
	2/3"	70 × 52
	1/2"	51 × 38
Back Focal Distance (in air) (mm)		17.81
Exit Pupil Position (From Image Plane) (mm)		-49
Filter Thread (mm)		M49 × 0.75
Mount		C
Mass (g)		235

Remarks

- With Metal Mount
- With Locking Knob for Iris and Focus

*1 Using an extension tube longer than 5mm will increase the M.O.D. to 0.3m.

FIXED FOCAL LENGTH LENSES



For FA/Machine Vision
Fixed Focal

CF75HA-1

Applicable camera (model)

1	2/3	1/2	1/3	1/4
---	-----	-----	-----	-----

NEW



- High-resolution design, providing support for up to 1.5 megapixel camera resolution.
- Wide-aperture (F1.8) design achieves clear images under low light intensity, despite the long focal distance.
- Low-distortion design achieving accurate image input.
- Robust enclosure resistant to vibrations and shocks. Equipped with locking knobs for the iris and the focus.

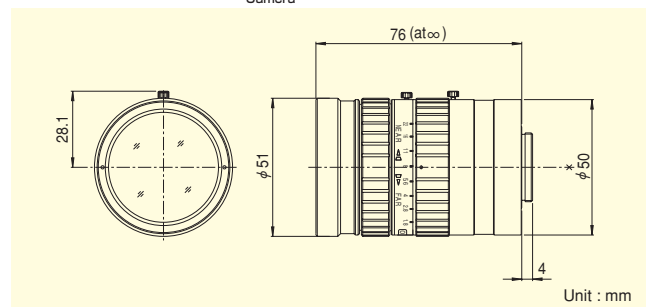
FIXED
Fixed Focal

1.5 Mega
For Megapixel Camera

MANUAL
Manual Iris

C-mt
C Mount

METAL
Metal Mount



Focal Length (mm)		75
Iris Range		F1.8 ~ F22
Operation	Focus	Manual
	Iris	Manual
Angle Of View (H×V)	1"	9°45' × 7°19'
	2/3"	6°43' × 5°02'
	1/2"	4°53' × 3°40'
Focusing Range (From Front Of The Lens) (m)		∞ ~ 0.9 *2
Object Dimensions at M.O.D. (H×V) (mm)	1"	147 × 111
	2/3"	101 × 76
	1/2"	74 × 55
Back Focal Distance (in air) (mm)		24.43
Exit Pupil Position (From Image Plane) (mm)		-52
Filter Thread (mm)		M49 × 0.75
Mount		C
Mass (g)		295

Remarks

- With Metal Mount
- With Locking Knob for Iris and Focus

*2 Using an extension tube longer than 5mm will increase the M.O.D. to 0.5m.