



**For Security  
Fish-Eye**

Applicable camera (model)

# FE185C046HA-1

|   |     |     |     |     |
|---|-----|-----|-----|-----|
| 1 | 2/3 | 1/2 | 1/3 | 1/4 |
|---|-----|-----|-----|-----|

FISH-EYE LENSES

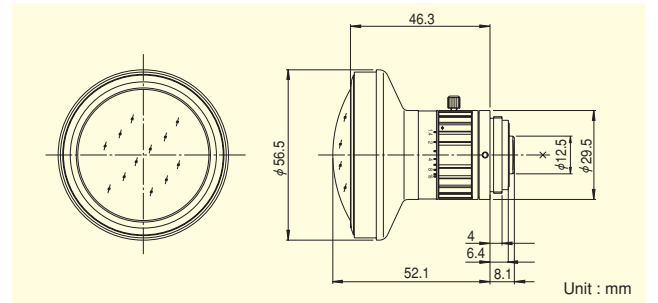
- FIXED**  
Fixed Focal
- Fish-Eye 185°**  
Fish-Eye
- 5 Mega**  
For Megapixel Camera
- MANUAL**  
Manual Iris
- C-mt**  
C Mount
- METAL**  
Metal Mount
- F1.4**  
Wide Aperture Rate



**NEW**

\*Photograph is a similar model.

- High-resolution design, providing support for up to 5 megapixel camera resolution.
- Super wide angle of 185 degrees that eliminates dead angles and enables effective, wide-area surveillance.
- Designed with the f-theta system, most suited for uniform displaying of images. Allows high-quality image display, partial enlargement, and conversion to ordinary-looking images to be performed easily with imaging software.



|   |       |  |
|---|-------|--|
| Focal Length (mm)                           |       | 1.4  |
| Iris Range                                  |       | F1.4 ~ F16                                       |
| Operation                                   | Focus | Fixed  |
|   | Iris  | Manual   |
| Angle Of View (H×V)                         | 1/2"  | 185° × 185° (φ4.6mm)                             |
|   | 1/3"  | 185° × 144°47'                                   |
|   | 1/4"  | 144°47' × 108°35'                                |
| Focusing Range (From Front Of The Lens) (m) |       | ∞ ~ 0.1  |
| Back Focal Distance (in air) (mm)           |       | 9.70   |
| Exit Pupil Position (From Image Plane) (mm) |       | -830   |
| Filter Thread (mm)                          |       | —  |
| Mount                                       |       | C  |
| Mass (g)                                    |       | 140  |
| Remarks                                     |       | •With Metal Mount<br>•With Locking Knob for Iris |

[Fish-Eye Lens Image]



**For Security  
Fish-Eye**

Applicable camera (model)

# FE185C057HA-1

|   |     |     |     |     |
|---|-----|-----|-----|-----|
| 1 | 2/3 | 1/2 | 1/3 | 1/4 |
|---|-----|-----|-----|-----|

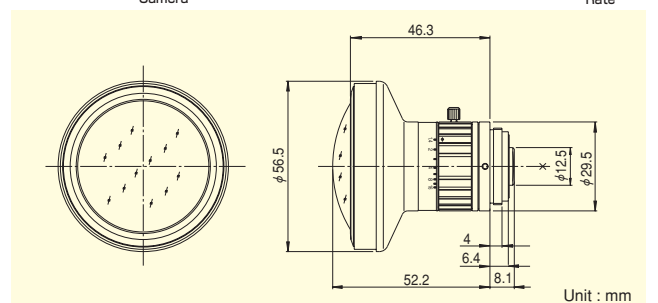
- FIXED**  
Fixed Focal
- Fish-Eye 185°**  
Fish-Eye
- 5 Mega**  
For Megapixel Camera
- MANUAL**  
Manual Iris
- C-mt**  
C Mount
- METAL**  
Metal Mount
- F1.4**  
Wide Aperture Rate



**NEW**

\*Photograph is a similar model.

- High-resolution design, providing support for up to 5 megapixel camera resolution.
- Super wide angle of 185 degrees that eliminates dead angles and enables effective, wide-area surveillance.
- Designed with the f-theta system, most suited for uniform displaying of images. Allows high-quality image display, partial enlargement, and conversion to ordinary-looking images to be performed easily with imaging software.



|   |       |  |
|---|-------|--|
| Focal Length (mm)                           |       | 1.8  |
| Iris Range                                  |       | F1.4 ~ F16                                       |
| Operation                                   | Focus | Fixed  |
|   | Iris  | Manual   |
| Angle Of View (H×V)                         | 2/3"  | 185° × 185° (φ5.7mm)                             |
|   | 1/2"  | 185°01' × 154°08'                                |
|   | 1/3"  | 154°08' × 115°27'                                |
| Focusing Range (From Front Of The Lens) (m) |       | ∞ ~ 0.2  |
| Back Focal Distance (in air) (mm)           |       | 9.70   |
| Exit Pupil Position (From Image Plane) (mm) |       | -61  |
| Filter Thread (mm)                          |       | —  |
| Mount                                       |       | C  |
| Mass (g)                                    |       | 135  |
| Remarks                                     |       | •With Metal Mount<br>•With Locking Knob for Iris |

[Fish-Eye Lens Image]





# For FA/Machine Vision Fixed Focal

# HF9HA-1B

Applicable camera (model)

|   |     |     |     |     |
|---|-----|-----|-----|-----|
| 1 | 2/3 | 1/2 | 1/3 | 1/4 |
|   |     |     |     |     |

**FIXED**  
Fixed Focal

**1.5 Mega**  
For Megapixel Camera

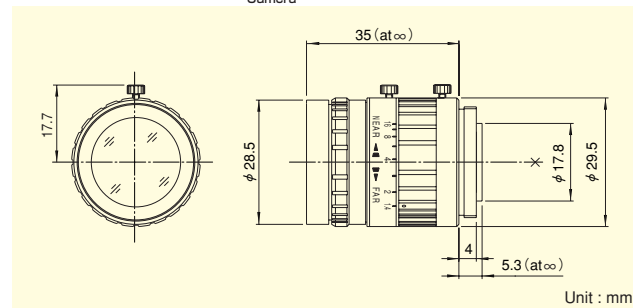
**MANUAL**  
Manual Iris

**C-mt**  
C Mount

**METAL**  
Metal Mount



- Design achieving the high resolution, supporting up to 1.5 mega pixel cameras
- Designed for low distortion, enabling faithful image input
- Compact, lightweight and robust design, supporting various systems
- Focus & iris lock tab provided, supporting environments such as vibration



|   |       |                 |
|---|-------|-----------------|
| Focal Length (mm)                           |       | 9               |
| Iris Range                                  |       | F1.4 ~ F16      |
| Operation                                   | Focus | Manual          |
|   | Iris  | Manual          |
| Angle Of View (H×V)                         | 2/3"  | 52°06' × 40°16' |
|   | 1/2"  | 39°09' × 29°52' |
|   | 1/3"  | 29°52' × 22°37' |
| Focusing Range (From Front Of The Lens) (m) |       | ∞ ~ 0.1         |
| Object Dimensions at M.O.D. (H×V) (mm)      | 2/3"  | 108 × 81        |
|   | 1/2"  | 79 × 59         |
|   | 1/3"  | 59 × 44         |
| Back Focal Distance (in air) (mm)           |       | 13.48           |
| Exit Pupil Position (From Image Plane) (mm) |       | -27.9           |
| Filter Thread (mm)                          |       | M27 × 0.5       |
| Mount                                       |       | C               |
| Mass (g)                                    |       | 55              |

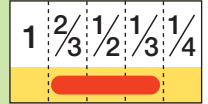
- Remarks
- With Metal Mount
  - With Locking Knob for Iris and Focus



**For FA/Machine Vision  
Fixed Focal**

# HF12.5HA-1B

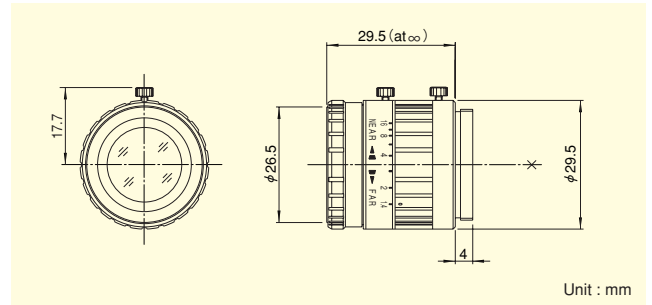
Applicable camera (model)



- FIXED**  
Fixed Focal
- 1.5 Mega**  
For Megapixel Camera
- MANUAL**  
Manual Iris
- C-mt**  
C Mount
- METAL**  
Metal Mount
- F1.4**  
Wide Aperture Rate



- High-resolution design, providing support for up to 1.5 megapixel camera resolution.
- Low-distortion design achieving accurate image input.
- Compact, lightweight and robust design, supporting various systems.
- Focus & iris lock tab provided, supporting environments such as vibration.



Unit : mm

|   |       |                 |
|---|-------|-----------------|
| Focal Length (mm)                           |       | 12.5            |
| Iris Range                                  |       | F1.4 ~ F16      |
| Operation                                   | Focus | Manual          |
|   | Iris  | Manual          |
| Angle Of View (H×V)                         | 2/3"  | 38°47' × 29°35' |
|   | 1/2"  | 28°43' × 21°44' |
|   | 1/3"  | 21°44' × 16°23' |
| Focusing Range (From Front Of The Lens) (m) |       | ∞ ~ 0.1         |
| Object Dimensions at M.O.D. (H×V) (mm)      | 2/3"  | 78 × 58         |
|   | 1/2"  | 57 × 42         |
|   | 1/3"  | 42 × 32         |
| Back Focal Distance (in air) (mm)           |       | 15.09           |
| Exit Pupil Position (From Image Plane) (mm) |       | -31.3           |
| Filter Thread (mm)                          |       | M25.5 × 0.5     |
| Mount                                       |       | C               |
| Mass (g)                                    |       | 45              |

Remarks

- With Metal Mount
- With Locking Knob for Iris and Focus

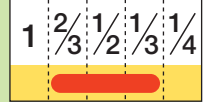
FIXED FOCAL LENGTH LENSES



**For FA/Machine Vision  
Fixed Focal**

# HF16HA-1B

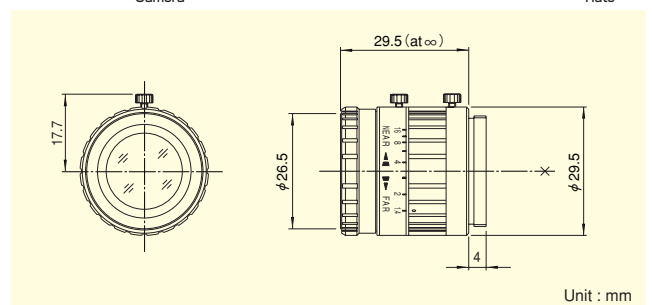
Applicable camera (model)



- FIXED**  
Fixed Focal
- 1.5 Mega**  
For Megapixel Camera
- MANUAL**  
Manual Iris
- C-mt**  
C Mount
- METAL**  
Metal Mount
- F1.4**  
Wide Aperture Rate



- High-resolution design, providing support for up to 1.5 megapixel camera resolution.
- Low-distortion design achieving accurate image input.
- Compact, lightweight and robust design, supporting various systems.
- Focus & iris lock tab provided, supporting environments such as vibration.



Unit : mm

|   |       |                 |
|---|-------|-----------------|
| Focal Length (mm)                           |       | 16              |
| Iris Range                                  |       | F1.4 ~ F16      |
| Operation                                   | Focus | Manual          |
|   | Iris  | Manual          |
| Angle Of View (H×V)                         | 2/3"  | 30°45' × 23°18' |
|   | 1/2"  | 22°37' × 17°04' |
|   | 1/3"  | 17°04' × 12°50' |
| Focusing Range (From Front Of The Lens) (m) |       | ∞ ~ 0.1         |
| Object Dimensions at M.O.D. (H×V) (mm)      | 2/3"  | 63 × 47         |
|   | 1/2"  | 46 × 34         |
|   | 1/3"  | 34 × 26         |
| Back Focal Distance (in air) (mm)           |       | 15.15           |
| Exit Pupil Position (From Image Plane) (mm) |       | -30.9           |
| Filter Thread (mm)                          |       | M25.5 × 0.5     |
| Mount                                       |       | C               |
| Mass (g)                                    |       | 45              |

Remarks

- With Metal Mount
- With Locking Knob for Iris and Focus



## For FA/Machine Vision Fixed Focal

# HF25HA-1B

Applicable camera (model)

|   |     |     |     |     |
|---|-----|-----|-----|-----|
| 1 | 2/3 | 1/2 | 1/3 | 1/4 |
|---|-----|-----|-----|-----|

**FIXED**  
Fixed Focal

**TELE**  
Telephoto  
Long Focal

**1.5 Mega**  
For Megapixel  
Camera

**MANUAL**  
Manual Iris

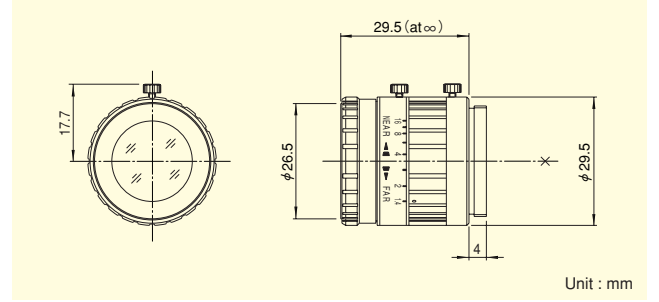
**C-mt**  
C Mount

**METAL**  
Metal Mount

**F1.4**  
Wide Aperture  
Rate



- High-resolution design, providing support for up to 1.5 megapixel camera resolution.
- Low-distortion design achieving accurate image input.
- Compact, lightweight and robust design, supporting various systems.
- Focus & iris lock tab provided, supporting environments such as vibration.



Unit : mm

|   |       |                 |
|---|-------|-----------------|
| Focal Length (mm)                           |       | 25              |
| Iris Range                                  |       | F1.4 ~ F22      |
| Operation                                   | Focus | Manual          |
|   | Iris  | Manual          |
| Angle Of View (H×V)                         | 2/3"  | 19°58' × 15°02' |
|   | 1/2"  | 14°35' × 10°58' |
|   | 1/3"  | 10°58' × 8°14'  |
| Focusing Range (From Front Of The Lens) (m) |       | ∞ ~ 0.15        |
| Object Dimensions at M.O.D. (H×V) (mm)      | 2/3"  | 53 × 40         |
|   | 1/2"  | 38 × 29         |
|   | 1/3"  | 29 × 22         |
| Back Focal Distance (in air) (mm)           |       | 14.58           |
| Exit Pupil Position (From Image Plane) (mm) |       | -32.4           |
| Filter Thread (mm)                          |       | M25.5 × 0.5     |
| Mount                                       |       | C               |
| Mass (g)                                    |       | 45              |

### Remarks

- With Metal Mount
- With Locking Knob for Iris and Focus



## For FA/Machine Vision Fixed Focal

# HF35HA-1B

Applicable camera (model)

|   |     |     |     |     |
|---|-----|-----|-----|-----|
| 1 | 2/3 | 1/2 | 1/3 | 1/4 |
|---|-----|-----|-----|-----|

**FIXED**  
Fixed Focal

**TELE**  
Telephoto  
Long Focal

**1.5 Mega**  
For Megapixel  
Camera

**MANUAL**  
Manual Iris

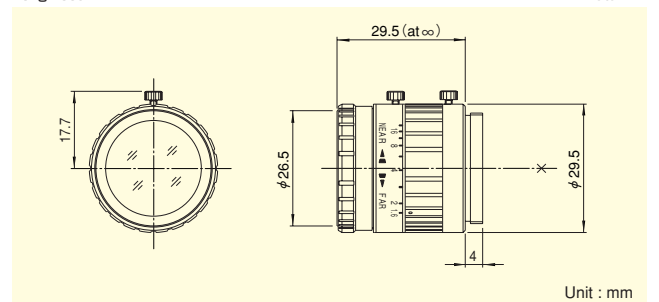
**C-mt**  
C Mount

**METAL**  
Metal Mount

**F1.6**  
Wide Aperture  
Rate



- High-resolution design, providing support for up to 1.5 megapixel camera resolution.
- Low-distortion design achieving accurate image input.
- Compact, lightweight and robust design, supporting various systems.
- Focus & iris lock tab provided, supporting environments such as vibration.



Unit : mm

|   |       |                 |
|---|-------|-----------------|
| Focal Length (mm)                           |       | 35              |
| Iris Range                                  |       | F1.6 ~ F22      |
| Operation                                   | Focus | Manual          |
|   | Iris  | Manual          |
| Angle Of View (H×V)                         | 2/3"  | 14°20' × 10°46' |
|   | 1/2"  | 10°27' × 7°51'  |
|   | 1/3"  | 7°51' × 5°53'   |
| Focusing Range (From Front Of The Lens) (m) |       | ∞ ~ 0.25        |
| Object Dimensions at M.O.D. (H×V) (mm)      | 2/3"  | 59 × 44         |
|   | 1/2"  | 43 × 32         |
|   | 1/3"  | 32 × 24         |
| Back Focal Distance (in air) (mm)           |       | 15.03           |
| Exit Pupil Position (From Image Plane) (mm) |       | -26.6           |
| Filter Thread (mm)                          |       | M25.5 × 0.5     |
| Mount                                       |       | C               |
| Mass (g)                                    |       | 45              |

### Remarks

- With Metal Mount
- With Locking Knob for Iris and Focus



## For FA/Machine Vision Fixed Focal

# HF50HA-1B

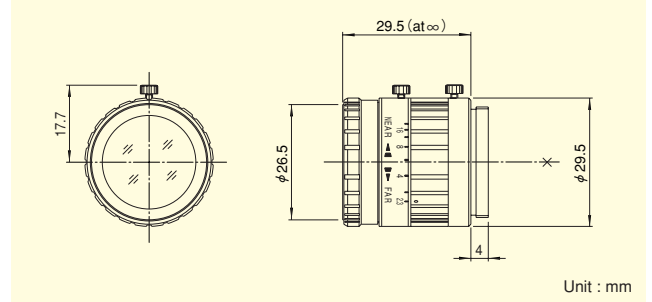
Applicable camera (model)

|   |     |     |     |     |
|---|-----|-----|-----|-----|
| 1 | 2/3 | 1/2 | 1/3 | 1/4 |
|---|-----|-----|-----|-----|

|                             |                                     |   |                              |                        |                             |
|-----------------------------|-------------------------------------|---|------------------------------|------------------------|-----------------------------|
| <b>FIXED</b><br>Fixed Focal | <b>TELE</b><br>Telephoto Long Focal | <b>1.5 Mega</b><br>For Megapixel Camera | <b>MANUAL</b><br>Manual Iris | <b>C-mt</b><br>C Mount | <b>METAL</b><br>Metal Mount |
|-----------------------------|-------------------------------------|---|------------------------------|------------------------|-----------------------------|



- High-resolution design, providing support for up to 1.5 megapixel camera resolution.
- Low-distortion design achieving accurate image input.
- Compact, lightweight and robust design, supporting various systems.
- Focus & iris lock tab provided, supporting environments such as vibration.



|   |       |                |
|---|-------|----------------|
| Focal Length (mm)                           |       | 50             |
| Iris Range                                  |       | F2.3 ~ F22     |
| Operation                                   | Focus | Manual         |
|   | Iris  | Manual         |
| Angle Of View (H×V)                         | 2/3"  | 10°03' × 7°33' |
|   | 1/2"  | 7°19' × 5°30'  |
|   | 1/3"  | 5°30' × 4°07'  |
| Focusing Range (From Front Of The Lens) (m) |       | ∞ ~ 0.5        |
| Object Dimensions at M.O.D. (H×V) (mm)      | 2/3"  | 77 × 57        |
|   | 1/2"  | 56 × 42        |
|   | 1/3"  | 42 × 31        |
| Back Focal Distance (in air) (mm)           |       | 15.26          |
| Exit Pupil Position (From Image Plane) (mm) |       | -25.1          |
| Filter Thread (mm)                          |       | M25.5 × 0.5    |
| Mount                                       |       | C              |
| Mass (g)                                    |       | 45             |

- Remarks
- With Metal Mount
  - With Locking Knob for Iris and Focus

FIXED FOCAL LENGTH LENSES



## For FA/Machine Vision Fixed Focal

# HF75HA-1B

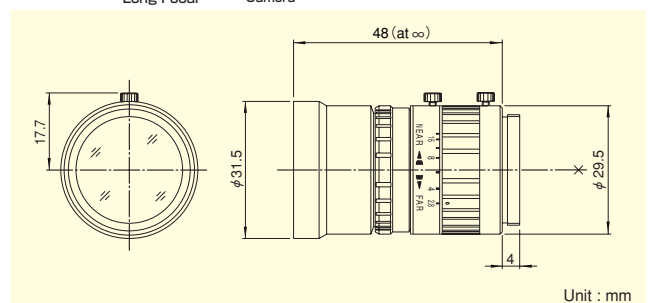
Applicable camera (model)

|   |     |     |     |     |
|---|-----|-----|-----|-----|
| 1 | 2/3 | 1/2 | 1/3 | 1/4 |
|---|-----|-----|-----|-----|

|                             |                                     |   |                              |                        |                             |
|-----------------------------|-------------------------------------|---|------------------------------|------------------------|-----------------------------|
| <b>FIXED</b><br>Fixed Focal | <b>TELE</b><br>Telephoto Long Focal | <b>1.5 Mega</b><br>For Megapixel Camera | <b>MANUAL</b><br>Manual Iris | <b>C-mt</b><br>C Mount | <b>METAL</b><br>Metal Mount |
|-----------------------------|-------------------------------------|---|------------------------------|------------------------|-----------------------------|



- High-resolution design, providing support for up to 1.5 megapixel camera resolution.
- Low-distortion design achieving accurate image input.
- Compact, lightweight and robust design, supporting various systems.
- Focus & iris lock tab provided, supporting environments such as vibration.



\*Photograph is a similar model.

|   |       |               |
|---|-------|---------------|
| Focal Length (mm)                           |       | 75            |
| Iris Range                                  |       | F2.8 ~ F22    |
| Operation                                   | Focus | Manual        |
|   | Iris  | Manual        |
| Angle Of View (H×V)                         | 2/3"  | 6°43' × 5°02' |
|   | 1/2"  | 4°53' × 3°40' |
|   | 1/3"  | 3°40' × 2°45' |
| Focusing Range (From Front Of The Lens) (m) |       | ∞ ~ 1.1       |
| Object Dimensions at M.O.D. (H×V) (mm)      | 2/3"  | 114 × 85      |
|   | 1/2"  | 83 × 62       |
|   | 1/3"  | 62 × 47       |
| Back Focal Distance (in air) (mm)           |       | 15.74         |
| Exit Pupil Position (From Image Plane) (mm) |       | -26.6         |
| Filter Thread (mm)                          |       | M30.5 × 0.5   |
| Mount                                       |       | C             |
| Mass (g)                                    |       | 55            |

- Remarks
- With Metal Mount
  - With Locking Knob for Iris and Focus



**For FA/Machine Vision  
Fixed Focal**

# HF12.5SA-1

Applicable camera (model)

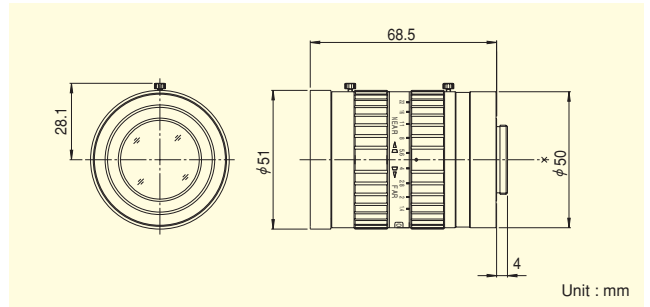
|   |     |     |     |     |
|---|-----|-----|-----|-----|
| 1 | 2/3 | 1/2 | 1/3 | 1/4 |
|---|-----|-----|-----|-----|

- FIXED**  
Fixed Focal
- 5 Mega**  
For Megapixel Camera
- MANUAL**  
Manual Iris
- C-mt**  
C Mount
- METAL**  
Metal Mount
- F1.4**  
Wide Aperture Rate

**NEW**



- High-resolution design, providing support for up to 5 megapixel camera resolution.
- Rear focusing system provides improved performance in macro photography.
- Wide-aperture (F1.4) design achieves clear images under low light intensity.
- Enhanced image recognition accuracy achieved by reduction of distortion and improvement of illumination uniformity.
- Robust enclosure resistant to vibrations and shocks. Equipped with locking knobs for the iris and the focus.



Unit : mm

|   |       |                 |
|---|-------|-----------------|
| Focal Length (mm)                           |       | 12.5            |
| Iris Range                                  |       | F1.4 ~ F22      |
| Operation                                   | Focus | Manual          |
|   | Iris  | Manual          |
| Angle Of View (H×V)                         | 2/3"  | 38°47' × 29°35' |
|   | 1/2"  | 28°43' × 21°44' |
|   | 1/3"  | 21°44' × 16°23' |
| Focusing Range (From Front Of The Lens) (m) |       | ∞ ~ 0.1         |
| Object Dimensions at M.O.D. (H×V) (mm)      | 2/3"  | 83 × 62         |
|   | 1/2"  | 60 × 45         |
|   | 1/3"  | 45 × 34         |
| Back Focal Distance (in air) (mm)           |       | 16.07           |
| Exit Pupil Position (From Image Plane) (mm) |       | -101            |
| Filter Thread (mm)                          |       | M49 × 0.75      |
| Mount                                       |       | C               |
| Mass (g)                                    |       | 295             |

Remarks

- With Metal Mount
- With Locking Knob for Iris and Focus

FIXED FOCAL LENGTH LENSES



**For FA/Machine Vision  
Fixed Focal**

# HF16SA-1

Applicable camera (model)

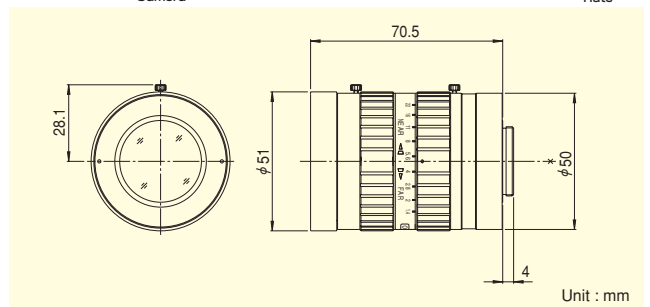
|   |     |     |     |     |
|---|-----|-----|-----|-----|
| 1 | 2/3 | 1/2 | 1/3 | 1/4 |
|---|-----|-----|-----|-----|

- FIXED**  
Fixed Focal
- 5 Mega**  
For Megapixel Camera
- MANUAL**  
Manual Iris
- C-mt**  
C Mount
- METAL**  
Metal Mount
- F1.4**  
Wide Aperture Rate

**NEW**



- High-resolution design, providing support for up to 5 megapixel camera resolution.
- Rear focusing system provides improved performance in macro photography.
- Wide-aperture (F1.4) design achieves clear images under low light intensity.
- Enhanced image recognition accuracy achieved by reduction of distortion and improvement of illumination uniformity.
- Robust enclosure resistant to vibrations and shocks. Equipped with locking knobs for the iris and the focus.



Unit : mm

|   |       |                 |
|---|-------|-----------------|
| Focal Length (mm)                           |       | 16              |
| Iris Range                                  |       | F1.4 ~ F22      |
| Operation                                   | Focus | Manual          |
|   | Iris  | Manual          |
| Angle Of View (H×V)                         | 2/3"  | 30°45' × 23°18' |
|   | 1/2"  | 22°37' × 17°04' |
|   | 1/3"  | 17°04' × 12°50' |
| Focusing Range (From Front Of The Lens) (m) |       | ∞ ~ 0.1         |
| Object Dimensions at M.O.D. (H×V) (mm)      | 2/3"  | 69 × 51         |
|   | 1/2"  | 50 × 37         |
|   | 1/3"  | 37 × 28         |
| Back Focal Distance (in air) (mm)           |       | 17.99           |
| Exit Pupil Position (From Image Plane) (mm) |       | -172            |
| Filter Thread (mm)                          |       | M49 × 0.75      |
| Mount                                       |       | C               |
| Mass (g)                                    |       | 285             |

Remarks

- With Metal Mount
- With Locking Knob for Iris and Focus



**For FA/Machine Vision  
Fixed Focal**

# HF25SA-1

Applicable camera (model)

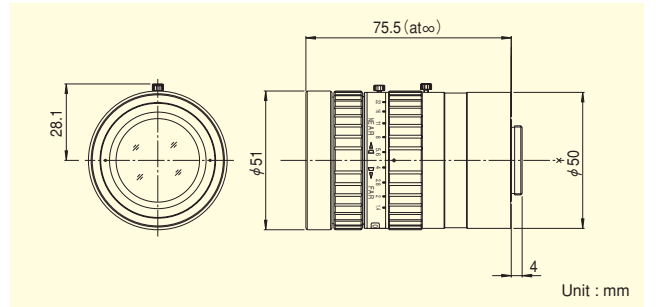
|   |     |     |     |     |
|---|-----|-----|-----|-----|
| 1 | 2/3 | 1/2 | 1/3 | 1/4 |
|---|-----|-----|-----|-----|

- FIXED**  
Fixed Focal
- 5 Mega**  
For Megapixel Camera
- MANUAL**  
Manual Iris
- C-mt**  
C Mount
- METAL**  
Metal Mount
- F1.4**  
Wide Aperture Rate

**NEW**



- High-resolution design, providing support for up to 5 megapixel camera resolution.
- Wide-aperture (F1.4) design achieves clear images under low light intensity.
- Enhanced image recognition accuracy achieved by reduction of distortion and improvement of illumination uniformity.
- Robust enclosure resistant to vibrations and shocks. Equipped with locking knobs for the iris and the focus.



Unit : mm

|   |       |                 |
|---|-------|-----------------|
| Focal Length (mm)                           |       | 25              |
| Iris Range                                  |       | F1.4 ~ F22      |
| Operation                                   | Focus | Manual          |
|   | Iris  | Manual          |
| Angle Of View (H×V)                         | 2/3"  | 19°58' × 15°02' |
|   | 1/2"  | 14°35' × 10°58' |
|   | 1/3"  | 10°58' × 8°14'  |
| Focusing Range (From Front Of The Lens) (m) |       | ∞ ~ 0.1         |
| Object Dimensions at M.O.D. (H×V) (mm)      | 2/3"  | 44 × 33         |
|   | 1/2"  | 32 × 24         |
|   | 1/3"  | 24 × 18         |
| Back Focal Distance (in air) (mm)           |       | 22.32           |
| Exit Pupil Position (From Image Plane) (mm) |       | -140            |
| Filter Thread (mm)                          |       | M49 × 0.75      |
| Mount                                       |       | C               |
| Mass (g)                                    |       | 315             |

Remarks

- With Metal Mount
- With Locking Knob for Iris and Focus



**For FA/Machine Vision  
Fixed Focal**

# HF35SA-1

Applicable camera (model)

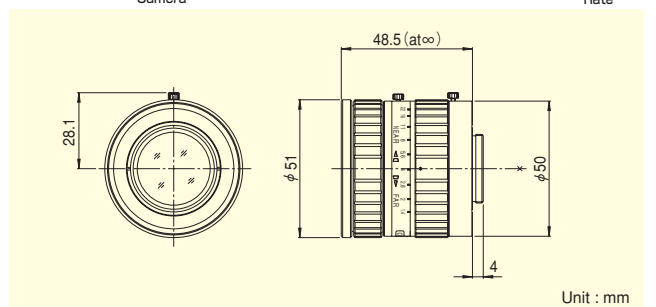
|   |     |     |     |     |
|---|-----|-----|-----|-----|
| 1 | 2/3 | 1/2 | 1/3 | 1/4 |
|---|-----|-----|-----|-----|

- FIXED**  
Fixed Focal
- 5 Mega**  
For Megapixel Camera
- MANUAL**  
Manual Iris
- C-mt**  
C Mount
- METAL**  
Metal Mount
- F1.4**  
Wide Aperture Rate

**NEW**



- High-resolution design, providing support for up to 5 megapixel camera resolution.
- Wide-aperture (F1.4) design achieves clear images under low light intensity.
- Enhanced image recognition accuracy achieved by reduction of distortion and improvement of illumination uniformity.
- Robust enclosure resistant to vibrations and shocks. Equipped with locking knobs for the iris and the focus.



Unit : mm

|   |       |                 |
|---|-------|-----------------|
| Focal Length (mm)                           |       | 35              |
| Iris Range                                  |       | F1.4 ~ F22      |
| Operation                                   | Focus | Manual          |
|   | Iris  | Manual          |
| Angle Of View (H×V)                         | 2/3"  | 14°20' × 10°46' |
|   | 1/2"  | 10°27' × 7°51'  |
|   | 1/3"  | 7°51' × 5°53'   |
| Focusing Range (From Front Of The Lens) (m) |       | ∞ ~ 0.2         |
| Object Dimensions at M.O.D. (H×V) (mm)      | 2/3"  | 50 × 38         |
|   | 1/2"  | 37 × 27         |
|   | 1/3"  | 27 × 21         |
| Back Focal Distance (in air) (mm)           |       | 14.99           |
| Exit Pupil Position (From Image Plane) (mm) |       | -37             |
| Filter Thread (mm)                          |       | M49 × 0.75      |
| Mount                                       |       | C               |
| Mass (g)                                    |       | 185             |

Remarks

- With Metal Mount
- With Locking Knob for Iris and Focus



**For FA/Machine Vision  
Fixed Focal**

# HF50SA-1

Applicable camera (model)

|   |     |     |     |     |
|---|-----|-----|-----|-----|
| 1 | 2/3 | 1/2 | 1/3 | 1/4 |
|---|-----|-----|-----|-----|

**FIXED**  
Fixed Focal

**5 Mega**  
For Megapixel  
Camera

**MANUAL**  
Manual Iris

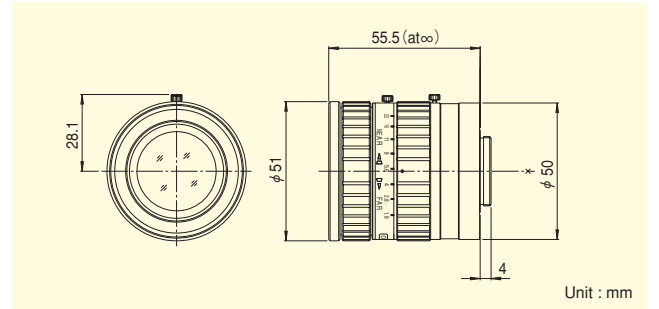
**C-mt**  
C Mount

**METAL**  
Metal Mount

**NEW**



- High-resolution design, providing support for up to 5 megapixel camera resolution.
- Wide-aperture (F1.8) design achieves clear images under low light intensity, despite the long focal distance.
- Enhanced image recognition accuracy achieved by reduction of distortion and improvement of illumination uniformity.
- Robust enclosure resistant to vibrations and shocks. Equipped with locking knobs for the iris and the focus.



Unit : mm

|   |       |                |
|---|-------|----------------|
| Focal Length (mm)                           |       | 50             |
| Iris Range                                  |       | F1.8 ~ F22     |
| Operation                                   | Focus | Manual         |
|   | Iris  | Manual         |
| Angle Of View (H×V)                         | 2/3"  | 10°03' × 7°33' |
|   | 1/2"  | 7°19' × 5°30'  |
|   | 1/3"  | 5°30' × 4°07'  |
| Focusing Range (From Front Of The Lens) (m) |       | ∞ ~ 0.4 *1     |
| Object Dimensions at M.O.D. (H×V) (mm)      | 2/3"  | 70 × 52        |
|   | 1/2"  | 51 × 38        |
|   | 1/3"  | 38 × 28        |
| Back Focal Distance (in air) (mm)           |       | 17.81          |
| Exit Pupil Position (From Image Plane) (mm) |       | -49            |
| Filter Thread (mm)                          |       | M49 × 0.75     |
| Mount                                       |       | C              |
| Mass (g)                                    |       | 240            |

Remarks

- With Metal Mount
- With Locking Knob for Iris and Focus

\*1 Using an extension tube longer than 5mm will increase the M.O.D. to 0.3m.



**For FA/Machine Vision  
Fixed Focal**

# HF75SA-1

Applicable camera (model)

|   |     |     |     |     |
|---|-----|-----|-----|-----|
| 1 | 2/3 | 1/2 | 1/3 | 1/4 |
|---|-----|-----|-----|-----|

**FIXED**  
Fixed Focal

**5 Mega**  
For Megapixel  
Camera

**MANUAL**  
Manual Iris

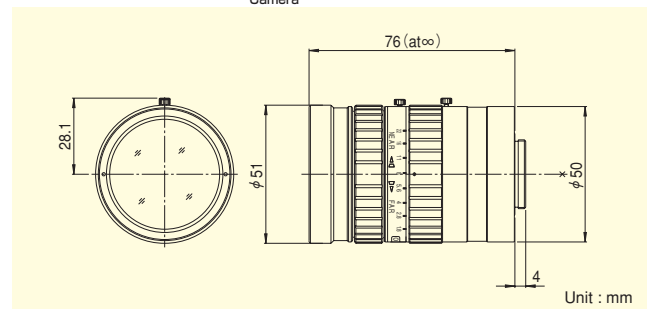
**C-mt**  
C Mount

**METAL**  
Metal Mount

**NEW**



- High-resolution design, providing support for up to 5 megapixel camera resolution.
- Wide-aperture (F1.8) design achieves clear images under low light intensity, despite the long focal distance.
- Enhanced image recognition accuracy achieved by reduction of distortion and improvement of illumination uniformity.
- Robust enclosure resistant to vibrations and shocks. Equipped with locking knobs for the iris and the focus.



Unit : mm

|   |       |               |
|---|-------|---------------|
| Focal Length (mm)                           |       | 75            |
| Iris Range                                  |       | F1.8 ~ F22    |
| Operation                                   | Focus | Manual        |
|   | Iris  | Manual        |
| Angle Of View (H×V)                         | 2/3"  | 6°43' × 5°02' |
|   | 1/2"  | 4°53' × 3°40' |
|   | 1/3"  | 3°40' × 2°45' |
| Focusing Range (From Front Of The Lens) (m) |       | ∞ ~ 0.9 *2    |
| Object Dimensions at M.O.D. (H×V) (mm)      | 2/3"  | 101 × 76      |
|   | 1/2"  | 74 × 55       |
|   | 1/3"  | 55 × 41       |
| Back Focal Distance (in air) (mm)           |       | 24.43         |
| Exit Pupil Position (From Image Plane) (mm) |       | -52           |
| Filter Thread (mm)                          |       | M49 × 0.75    |
| Mount                                       |       | C             |
| Mass (g)                                    |       | 300           |

Remarks

- With Metal Mount
- With Locking Knob for Iris and Focus

\*2 Using an extension tube longer than 5mm will increase the M.O.D. to 0.5m.

FIXED FOCAL LENGTH LENSES