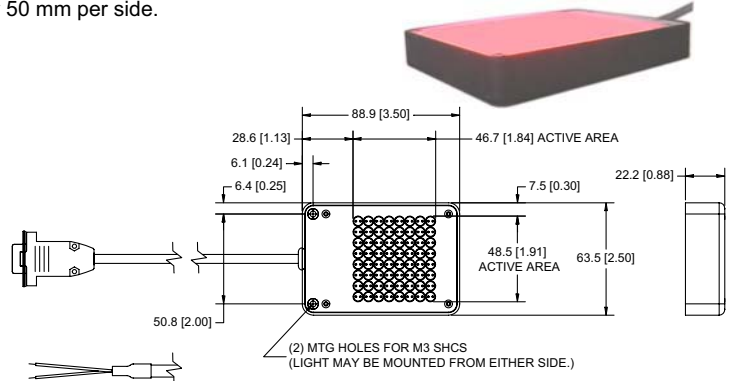


NERLITE® BL-50 Series Backlights

BL-50 Series Backlights provide sharp contrast to outline a parts shape, hide clear housings, and view openings such as drilled holes. The BL-50 Series provides high output (HO) illumination in small, versatile packaging. Using a new approach in thermal management technology for LED illumination, the BL-50 Series is able to support large LED arrays operating at temperature levels that guarantee long life. BL-50 Series modules employ square arrays of LEDs measuring approximately 50 mm per side.

Model #	Description
RVA:010652100	BL-50x50, R LED-D, 12V-C
RVA:010652110	BL-50x50, R LED-D, 24V-C, 6.6' (2M) Cbl w/9-pin D-sub
RVA:010652117	BL-50x50, R LED-D, 24V-C, 6.6' (2M) Cbl w/Flying Leads
RVA:010652118	BL-50x50, R LED-D, 24V-C, 32.8' (10M) Cbl w/Flying Leads
RVA:010652130	BL-50x50, R LED-D, 24V-S, 6.6' (2M) Cbl w/DB9
RVA:010652140	BL-50x50, R LED-D, 24V-S, 15' (4.5M) Cbl w/DB9
RVA:010652141	BL-50x50, R LED-D, 24V-S, 15' (4.5M) Cbl w/Flying Lead
RVA:010652102	BL-50x50, W LED-D, 12V-C
RVA:010652112	BL-50x50, W LED-D, 24V-C w/9-pin D-sub
RVA:010652119	BL-50x50, W LED-D, 24V-C, 15' (4.5M) Cbl w/Flying Leads
RVA:010652132	BL-50x50, W LED-D, 24V-S
RVA:010652104	BL-50x50, B LED-D, 12V-C
RVA:010652124	BL-50x50, B LED-D, 24V-C w/9-pin D-sub
RVA:010652134	BL-50x50, B LED-D, 24V-S
RVA:010904500	BL-50x50, I LED-D, 12V-C, 940nm
RVA:010904502	BL-50x50, I LED-D, 24V-C, 940nm, w/9-pin D-sub
RVA:010904504	BL-50x50, I LED-D, 24V-S, 940nm
RVA:010904508	BL-50x50, I LED-D, 24V-C, 880nm, w/Flying Leads



Mechanical:

L x W x H (mm/in.): 88.9 x 63.5 x 22.2 / 3.50 x 2.50 x 0.88

Mounting: (2) M3 SHCS holes
Housing Material: Black Anodized Aluminum
Weight: 397 grams (14 oz.)

Environmental:

Max. Operating Humidity 95% non-condensing
Operating Temp. 40°C (104°F)
Storage Temp. 50°C (122°F)

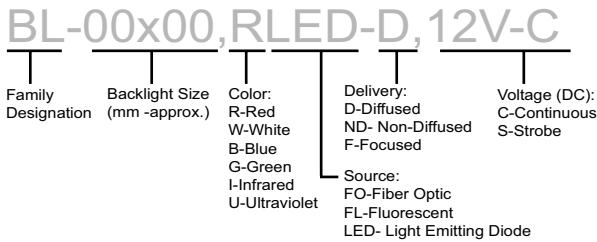
Accessories:

Part #	Description	Models Used On
RVA:010500301	CPS-12 3.5A, 12VDC, US Cord	12V-C
RVA:010500303	CPS-12 3.5A, 12VDC, EU Cord	12V-C
RVA:010501402	CPS-24, 24VDC, US cord	24V-S ^{1,2}
RVA:010501401	CPS-24, 24VDC, EU cord	24V-S ^{1,2}
RVA:010502601	CPS-24T, 24VDC US w/9-pin D-sub	24V-C & 24V-S ^{1,2}
RVA:010502602	CPS-24T, 24VDC EU w/9-pin D-sub	24V-C & 24V-S ^{1,2}
RVA:010502700	ICM-1, M/D Intensity Cntrl, 12V-C	12V-C
RVA:010502701	ICM-1, M/D Intensity Cntrl, 24V-C	24V-C ²
RVA:010502702	SCM-1, 1 Channel M/D Strobe Cntrl.	24V-S ²
RVA:010901900	SCM-2, 2 Channel Strobe Cntrl.	24V-S ²
RVA:010503500	VPS-II, 2 Ch. Variable PS, US Cord	12V-C
RVA:010503501	VPS-II, 2 Ch. Variable PS, EU Cord	12V-C
RVA:030003702	Ext. Cable, Cont., 1.8 M (6 ft.)	12V-C & 24V-C ²
RVA:030003703	Ext. Cable, Cont., 3.0 M (10 ft.)	12V-C & 24V-C ²
RVA:030003601	Y cable, 2 Lights, 9 pin D-sub Cont.	12V-C & 24V-C ²
RVA:030007006	Ext. Cable, Strobe, 1.8 M (6 ft.)	24V-S ²
RVA:030007010	Ext. Cable, Strobe, 3.0 M (10 ft.)	24V-S ²
RVA:030006900	Y cable, 2 Lights, 9 pin D-sub Strb.	24V-S ²

¹ RVA:01050140x used only with RVA:010901900;
² RVA:01050260x used with either RVA:010502702 or 24V-C lights with DB-9 connectors

Listed accessories are not plug-compatible with "Flying Leads" light models

Description Key Example



Illumination & Electrical:

Lighting Technique: Backlight
Light Output Area: 46.7 mm x 48.5 mm (1.84 in. x 1.91 in.)

Light Characteristics:

Source	Color (nm)	Exp. Life	Voltage/Current (max.)		
			12V-C	24V-C	24V-S
LED	Red (636)	60k hrs.	355 mA	160 mA	3.2 A pk.
LED	White - 6500 Kelvin	10k hrs.	440 mA	320 mA	4.4 A pk.
LED	Blue (470)	10k hrs.	440 mA	320 mA	4.4 A pk.
LED	IR (940)	50k hrs.	176 mA	tbd	1.6 A pk.
LED	IR (880)	50k hrs.	n/a ¹	80 mA	n/a ¹

¹ No model available in stated voltage

CE Conformity:

Yes

Cables/Connectors:

Connector	Length	Pin#	1	2	3	4	5	6	7	8	9
12V-C Models	9 pin D-sub Male	2.0 M (6.6 ft.)	n/a	n/a	GND	+12VDC	n/a	n/a	n/a	n/a	n/a
24V-S Models ¹	9 pin D-sub Male ^{1,2}	2.0 M (6.6 ft.) ¹	V-	n/a	n/a	+24VDC	n/a	n/a	n/a	n/a	n/a
24V-C Models ²	9 pin D-sub Male ²	2.0 M (6.6 ft.) ³	n/a	n/a	n/a	n/a	n/a	n/a	+24VDC	n/a	GND

¹ Note: Models RVA:010652140 and RVA:010652141 have 4.5M (15 ft.) cables; RVA:010652140 is terminated with a 9 pin D-sub Male (DB9), RVA:010652141 has "Flying Leads".

² Note: Models RVA:010652117, RVA:010652118, RVA:010652119, RVA:010904508 and RVA:010652141 have "Flying Leads" cables with two (2) tinned leads and no connector; leads are labeled GND and V+ (+24VDC)

³ Note: Model RVA:010652118 has a 32.8' (10M) Cbl w/Flying Leads