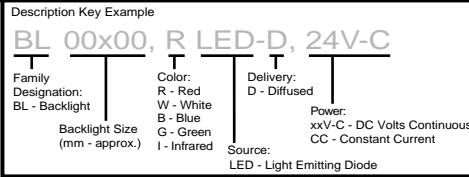


NERLITE® LT430 BL 100x100 LED Backlight Series

Description: NERLITE LT430 Backlight Series (patent pending) provide sharp contrast to outline a part's shape, find edges and view openings such as drilled holes, allowing for various vision operations. High intensity and uniformity are packed into a low-profile industrial package providing optimal thermal management to the LED's. Edge to Edge lighting provides the unique ability to mate multiple lights to provide larger illuminated areas. NERLITE LT430 Backlights are available in various wavelengths for strobe or continuous duty-cycles, all using industry standard M12 connectors.

Applications: Back lighting: to outline a parts shape, find edges, or detect openings (e.g. drilled holes).

Part #	Description
6GF3910-0AC08-4AA0	NERLITE LT430 BL 100x100, R LED-D, 24V-C
6GF3910-0AC00-4AA0	NERLITE LT430 BL 100x100, R LED-D, CC
6GF3910-0AC08-4AB0	NERLITE LT430 BL 100x100, W LED-D, 24V-C
6GF3910-0AC00-4AB0	NERLITE LT430 BL 100x100, W LED-D, CC
6GF3910-0AC08-4AC0	NERLITE LT430 BL 100x100, B LED-D, 24V-C
6GF3910-0AC00-4AC0	NERLITE LT430 BL 100x100, B LED-D, CC
6GF3910-0AC08-4AD0	NERLITE LT430 BL 100x100, G LED-D, 24V-C
6GF3910-0AC00-4AD0	NERLITE LT430 BL 100x100, G LED-D, CC
6GF3910-0AC08-4AE0	NERLITE LT430 BL 100x100, I LED-D, 24V-C
6GF3910-0AC00-4AE0	NERLITE LT430 BL 100x100, I LED-D, CC



Illumination & Electrical:

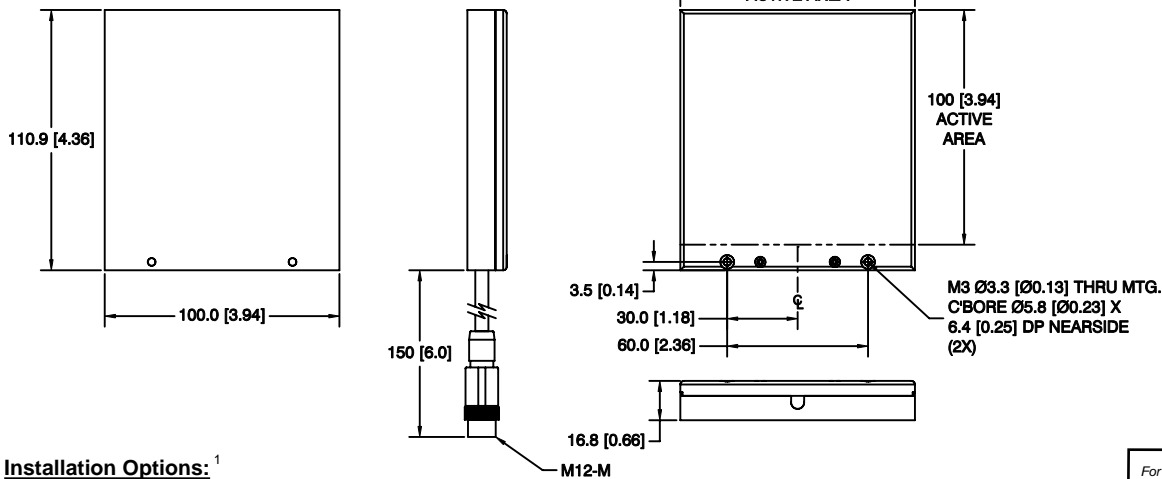
Lighting Technique: Diffuse Backlight
Active Area: 100 mm x 100 mm (3.94 in. x 3.94 in.)

Light Characteristics:

Source	Color (nm)	Exp. Life	CC (Strobe Mode) ^{1,2,3,4}			24V-C ⁶
			Max. Current	Max. Vf ⁵	Min. Vf ⁵	Max. Current
LED	Red (640)	50k hrs.	4.99 A peak	20.8 V	13.9 V	155 mA
LED	Blue (470)	50k hrs.	9.98 A peak	17.5 V	13.8 V	320 mA
LED	Green (528)	50k hrs.	9.02 A peak	17.5 V	12.8 V	320 mA
LED	IR (880)	50k hrs.	7.99 A peak	16.6 V	10.4 V	250 mA
LED	White - 6500 Kelvin	50k hrs.	9.98 A peak	16.3 V	13.4 V	350 mA

¹ CAUTION: Do not connect "CC" (Constant Current) lights directly to 24 volts; a CC Controller is required.
² 24VDC +/- 3% is the recommended input to the PP6xx controllers.
³ Maximum pulse width = 1ms, maximum frequency = 60Hz
⁴ Exceeding max. current, pulse width or frequency voids product warranty.
⁵ Vf = Forward Voltage in Volts DC; used in calculating heat dissipation in multi light CC-Strobe applications.
⁶ 24VDC +/- 1% is the recommended input to 24V-C configurations.

CE Conformity: Yes



Installation Options:¹

Part #	Description	Used on Models
6GF3910-1BA10-0AS0	PP600, 2 Chnl. CC Cntrl, 24VDC, Push Button ^{2,3}	LT430 CC-Strobe
6GF3910-1BA10-0AT0	PP610, 2 Chnl. CC Cntrl, 24VDC, PB/RS232 ^{2,3}	LT430 CC-Strobe
6GF3910-1BA00-0AA0	DSP60, 24V, 2.5A, DIN Mount Power Supply	LT430 24V-C & PP6xx
6GF3910-1BA00-0AB0	DSP100, 24V, 4.2A DIN Mount Power Supply	LT430 24V-C & PP6xx
6GF3910-1DA00-0AB0	AC Power Cord, US, 1.8 M (6.0 ft.)	DIN Mount PS
6GF3910-1DA00-0AC0	AC Power Cord, EU, 2.5 M (8.2 ft.)	DIN Mount PS
6GF3910-1DA00-0AD0	AC Power Cord, UK, 2.0 M (6.6 ft.)	DIN Mount PS
6GF3910-1DA00-0AA0	Power Cable, Flying Leads - M12F, 3.0 M (9.8 ft.)	LT430 (all)

¹ Constant Current (CC) controller required for CC powered lights, not required for 24V-C lights.
² CC controllers require a DC power supply; choose one from above.
³ Refer to [PP600 Heat Dissipation application note](#) when configuring multi light CC-Strobe applications.

Mechanical:

L x W x H (mm/in.): 110.9 mm x 100.0 mm x 16.8 mm (4.36 in. x 3.94 in. x 0.66 in.)
Mounting: (2) M3 Counter Bores
Housing Material: Black Anodized Aluminum
Weight: 0.20 kgs. (0.44 lbs.)

Environmental:

Max. Operating Humidity: 85% non-condensing
Operating Temp.: 40°C (104°F)
Storage Temp.: 50°C (122°F)

Cables/Connectors:

Cable Length: 150mm (6.0 in.)
Connector Type: M12 "A" Code Male, 4 Pos:
 Pin # 1 = + 2 1
 Pin # 2 = nc 3 4
 Pin # 3 = - 3 4
 Pin # 4 = nc 3 4
 Connector Nut = Shield

For further product family information see:
<http://www.nerlite.com>
 Illumination uniformity graphs are available at...
<http://www.nerlite.com/pdfs/lt430-uniformity.pdf>



NERLITE LT430 BL 100x100 - 6595xx 121307

