



vieworks

VA-29MC

29 MEGA PIXEL HIGH RESOLUTION, PROGRAMMABLE DIGITAL CAMERA



The VA-29MC is the world's highest resolution interline transfer CCD camera available today at 29 million pixel resolution. The camera incorporates an interline transfer CCD with resolution of 6,576(H) x 4,384(V) providing electronic shutter, progressive scan readout at up to 5 hz, and very low noise and high dynamic range. This camera is ideal for Aerial, Industrial, and Scientific market applications.

Main Features

- * 29 Mega Pixels of High Resolution
- * Active Image of 6576 (H) x 4384 (V)
- * Kodak 5.5 micron Progressive Scan IT CCD Imager
- * Camera Link Interface , GigE Interface
- * 8 / 10 / 12 bit Data Output
- * 5 fps up to 28 fps at 400 Line
- * Electronic Shutter
- * Flat Field Correction
- * Defective Pixel Compensation
- * Excellent anti-blooming and anti-smear

Applications

- * Aerial Imaging
- * Persistent Surveillance
- * Intelligence, Surveillance, & Reconnaissance
- * Flat Panel Inspection
- * PCB Inspection
- * Research and Scientific Imaging

www.vieworks.com



VA-29MC

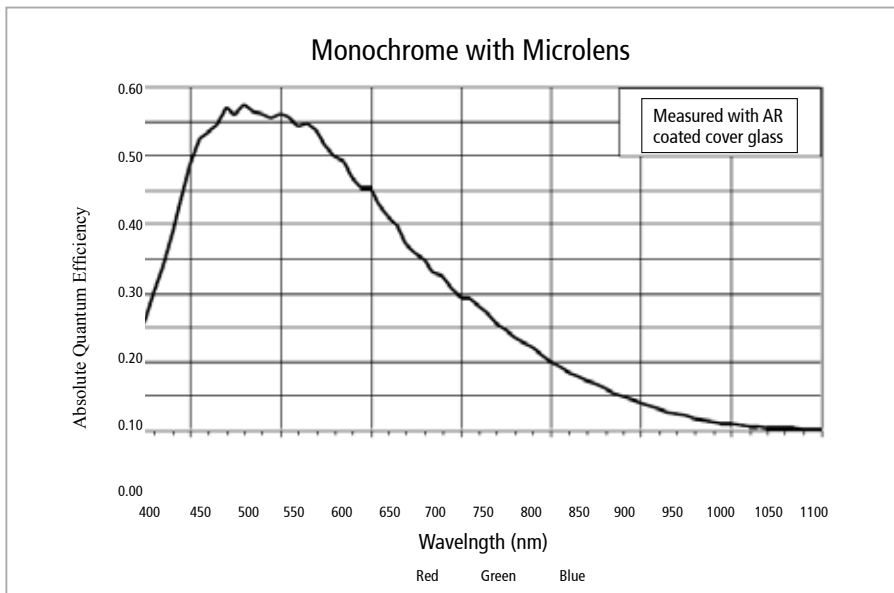
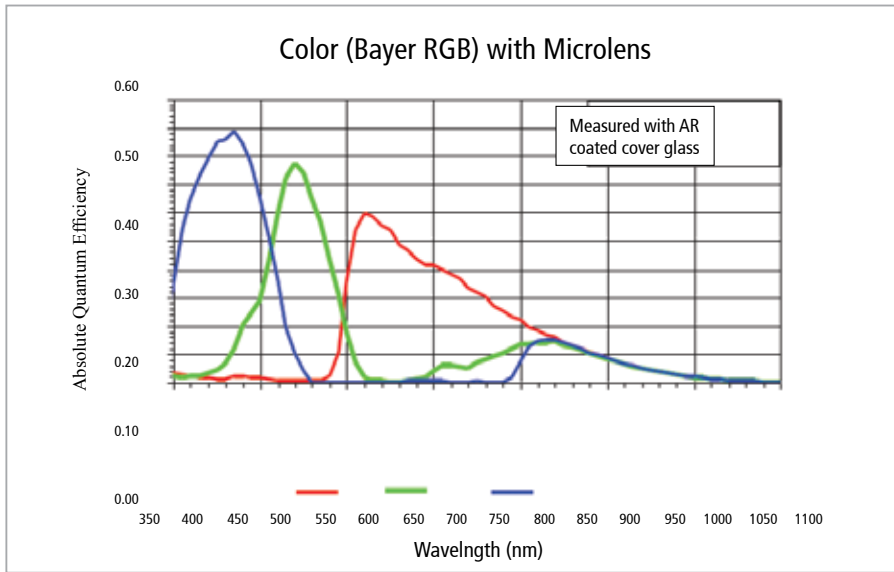
29 MEGA PIXEL HIGH RESOLUTION,
PROGRAMMABLE DIGITAL CAMERA



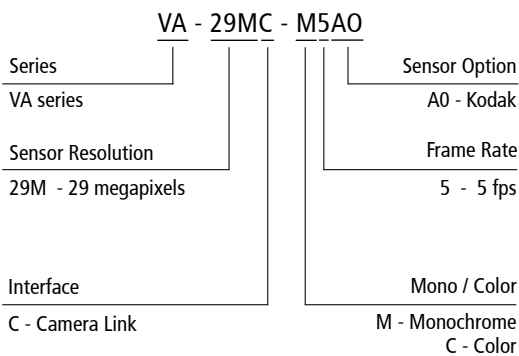
Specifications

Model	VA-29MC
Active Image	6,576(H) × 4,384(V)
Pixel Clock	40/80 MHz
Pixel size	5.5 × 5.5 microns
Video Output	8/10/12 bits, 1 or 2 Channel Output
Active Image Size	36.17 mm (H) x 24.11 mm (V), 43.47 mm (diag) 35 mm optical format
Camera Interface	Camera Link / GigE
Shutter	Global Electronic Shutter
Max. Frame Rate	5 fps (Full Frame)
Exposure Time	1/100000 sec to 7 sec (10 microsecond steps)
Partial Scan	28 fps at 400 Line (Max, speed)
Gamma Correction	User defined LUT (Look Up Table)
Black Offset	Adjustable (0 -127 LSB at 12 bit , 256 step)
Video Gain	Analog: 0 - 32 dB, 900 step
Trigger Mode	Mode(free run, Overlap, fast, double), Programmable exposure time, Programmable trigger polarity
External Trigger	External, 3.3V - 5.0V, 10mA, optically isolated
Software Trigger	CC1, programmable expose
Dynamic Range	64 dB
Smear	-100 dB
Power	10 -14V DC , MAX. 6W
Environmental	-5°C to +40°C operation , -30°C to 65°C storage
Mechanical	68mm x 68mm x 83mm, 460g (F-Mount)

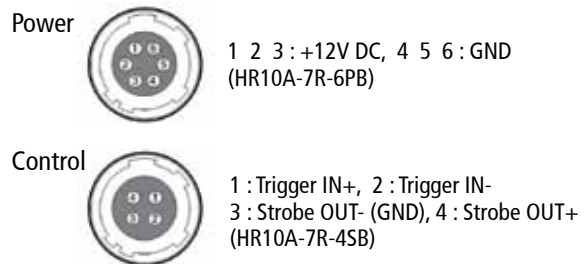
Quantum Efficiency Curves



Ordering Scheme



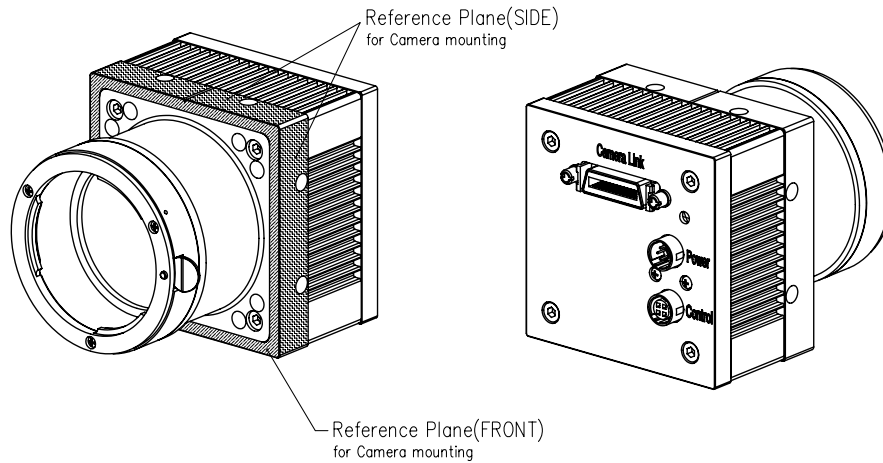
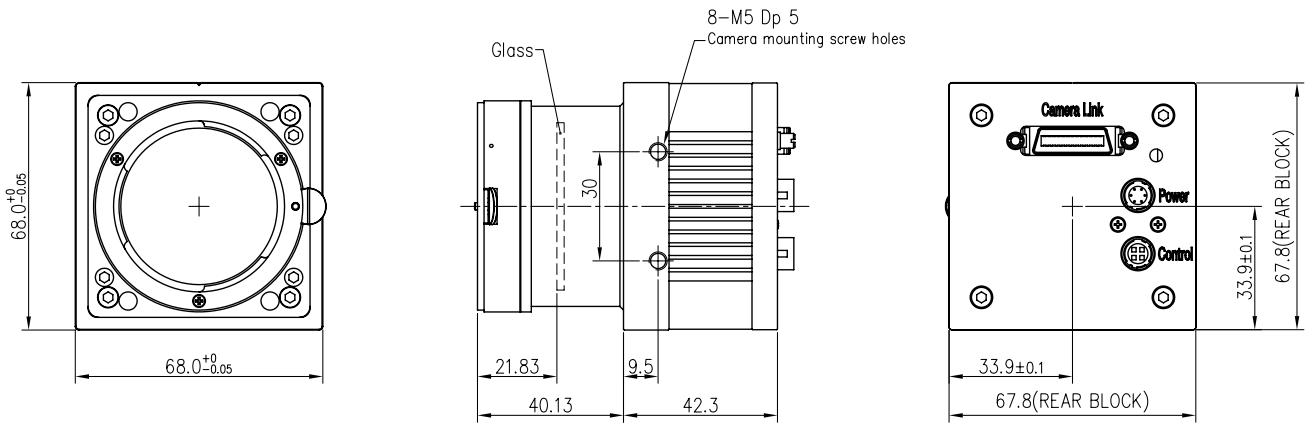
Connector Specifications



Connectors on camera body

Mechanical Dimensions

Unit : mm



For more information please contact local distributor or visit our website at www.viewworks.com

Reproduction in whole or in part without written permission is prohibited. Viewworks Co., Ltd. is not responsible for any technical or typographical errors and reserves the right to make changes to products, specifications and documentation without prior notice.

VMCB-VA01-R001EN

Contact



10955 Avenida Del Gato
San Diego, CA 92126
Tel: (585) 627-1609
email: sales@visionsystemtech.com
www.visionsystemtech.com

ISO-9001, ISO-13485

Corporate Headquarters

Viewworks Co., Ltd. # 604 Suntechcity II, 307-2 Sangdaewon-dong, Jungwon-gu, Seongnam-city, Gyeonggi-do, 462-806 South Korea
tel +82-70-7011-6161 fax +82-31-737-4954 e-mail sales@viewworks.com web site <http://www.viewworks.com>