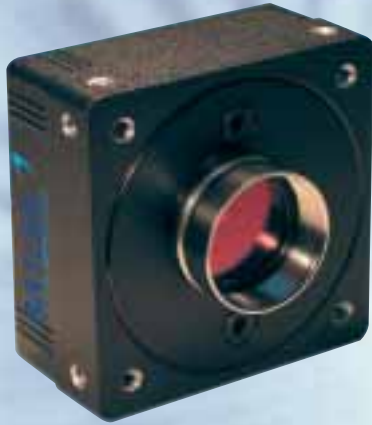


SPECIFICATIONS

PRODUCT SPECIFICATIONS



**DIGITAL CCD AREA SCAN
COLOR AND MONOCHROME
IEEE1394 OUTPUT
UP TO 73 FPS AT VGA RESOLUTION
UP TO 53 FPS AT CCIR RESOLUTION**

BASLER A310 SERIES

Features/Benefits

- Superior image quality improves your image processing results
- Super compact size reduces the space needed in your installation
- 100% factory testing ensures consistent product quality
- Area of Interest (AOI) scanning allows higher frame rates
- Choice of resolutions maximizes your system design flexibility
- Electronic exposure time control provides maximum flexibility

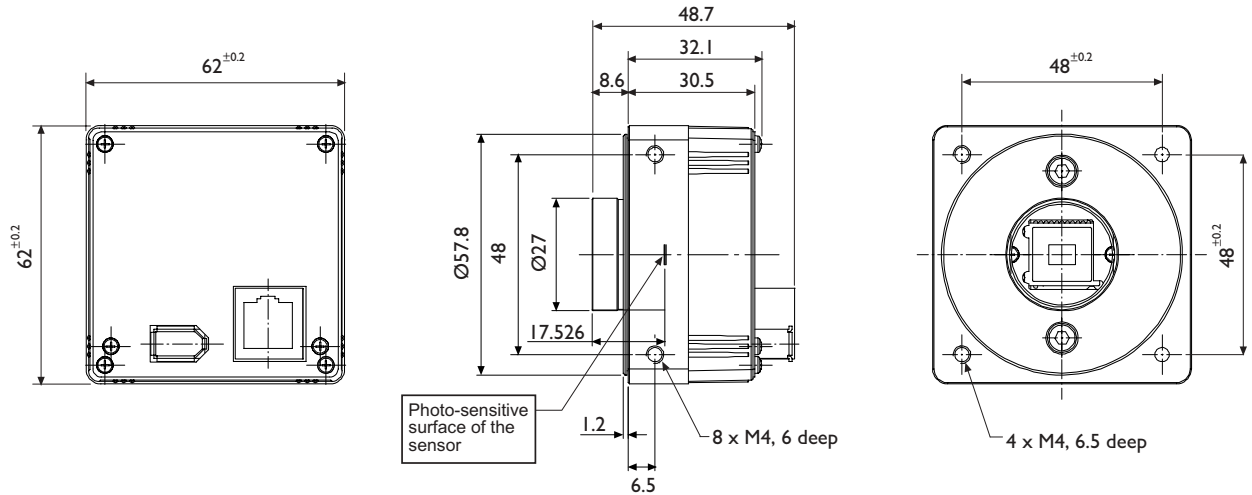
Description

The A310 Series of high-performance, digital cameras is ideal for a variety of industrial applications. The cameras can be triggered via an external sync signal or run in an internally controlled "free-run" mode. A310 cameras operate with a single voltage power supply and have the advantage of remarkably simple cabling requirements. A combination of features such as digital shift, and test images, ensure that these versatile cameras provide an exceptional price/performance ratio.

Applications

- Semiconductor and component inspection
- Manufacturing quality control
- Food and beverage inspection
- Microscopy and medical imaging
- Biometrics
- Many other vision applications

Dimensions (in mm)



| Specifications | A311f | A311fc | A312f | A312fc |
|------------------------------------|--------------------------------------|--|-----------------------|--|
| Sensor Size (H x V Pixels) | 659 x 494 | 658 x 492 | 782 x 582 | 780 x 580 |
| Sensor Type | Progressive CCD | | | |
| Pixel Size (in μm) | 9.9 x 9.9 | 9.9 x 9.9 | 8.3 x 8.3 | 8.3 x 8.3 |
| Max. Frame Rate at Full Resolution | 73 fps | 73 fps | 53 fps | 53 fps |
| Color / Mono | Mono | Color | Mono | Color |
| Video Output Format | Mono8, Mono16 (12bpp) | Mono8, Mono16 (12bpp), Raw8, Raw16 (12bpp), YUV422 | Mono8, Mono16 (12bpp) | Mono8, Mono16 (12bpp), Raw8, Raw16 (12bpp), YUV422 |
| Synchronization | Via external trigger or the I394 bus | | | |
| Exposure Control | Programmable via I394 bus | | | |
| Power Requirements | 12 VDC (8 to 36 VDC), max. 3.0 W | | | |
| Lens Mounts | C-mount | | | |
| IR-Cut Filter | Optional | Standard | Optional | Standard |
| Housing Size (L x W x H) | 40.8 mm x 62 mm x 62 mm | | | |
| Weight | Ca. 240 g | | | |
| Conformity | CE, FCC | | | |

Specifications are subject to change without prior notice.

BASLER
VISION TECHNOLOGIES

Germany, Headquarters
Phone +49 4102 463 500
Fax +49 4102 463 599
vc.sales.europe@baslerweb.com

USA
Phone +1 610 280 0171
Fax +1 610 280 7608
vc.sales.usa@baslerweb.com

Singapore
Phone +65 6425 0472
Fax +65 6425 0473
vc.sales.asia@baslerweb.com

www.basler-vc.com