

SPECIFICATIONS

PRODUCT SPECIFICATIONS



**DIGITAL CMOS AREA SCAN
COLOR OR MONOCHROME
IEEE 1394 OUTPUT
UP TO 100 FPS AT
FULL RESOLUTION**

BASLER A600 SERIES

Features/Benefits

- Superior image quality improves your image processing results
- Ultra compact size reduces the space needed in your installation
- 100% factory testing ensures consistent product quality
- When combined with the BCAM 1394 Driver and a standard IEEE 1394 adapter, these cameras offer a plug and play solution for industrial quality digital video
- Electronic exposure time control provides maximum flexibility

Description

The A600 Series of high-performance, VGA resolution, digital cameras is ideal for price sensitive users seeking the advantages of digital video. The cameras can be triggered via an external sync signal or run in an internally controlled "free-run" mode. A600 cameras operate with a single voltage power supply and have the advantages of the standard cabling and adapter requirements of IEEE 1394. A combination of features such as AOI scanning and test images ensure that these versatile cameras provide an exceptional price/performance ratio.

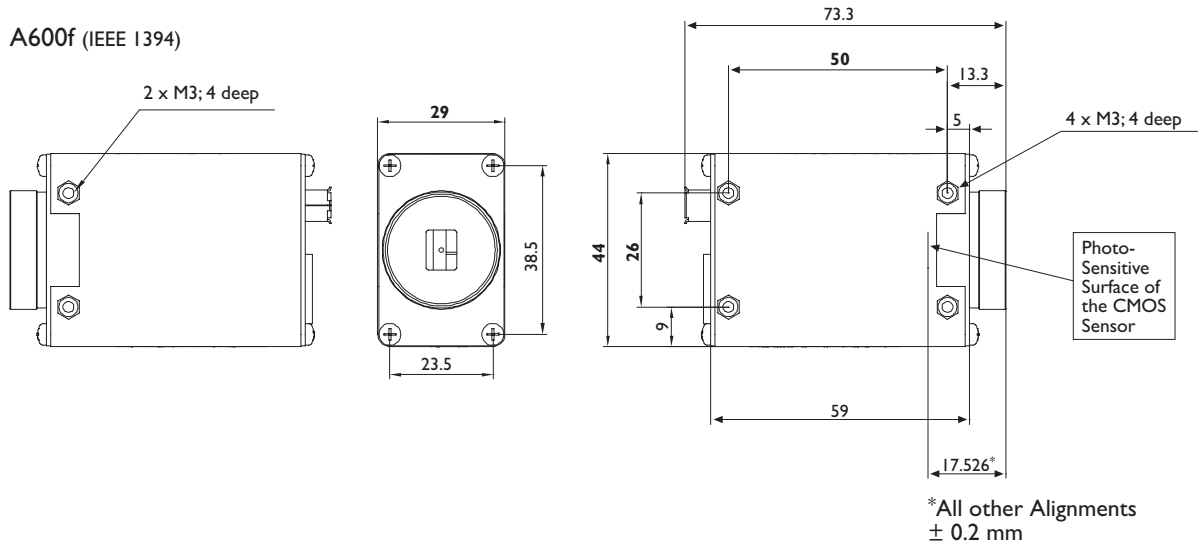
Applications

- Semiconductor and component inspection
- Manufacturing quality control
- Food and beverage inspection
- Microscopy and medical imaging
- Biometrics
- Many other vision applications

BASLER
VISION TECHNOLOGIES

Dimensions (in mm)

A600f (IEEE 1394)



Specifications	A601f/fc	A602f/fc
Sensor Size (H x V Pixels)		656 x 491
Sensor Type		Progressive Scan CMOS
Pixel Size		9.9 μ m x 9.9 μ m
Max. Frame Rate at Full Resolution	60 frames/s (fixed)	100 frames/s (more with AOI)
Color / Mono		Mono or Color
Video Output Type		IEEE 1394
Video Output Format		Mono: 8 bits/pixel, Color: YUV4:2:2 at half framerate or raw data
Synchronization		Via external trigger or the 1394 bus
Exposure Control		Programmable via the 1394 bus
Power Requirements		+8 to +40VDC (12VDC nominal) max. ~ 2 W
Lens Mount		C-mount
Housing Size (L x W x H)		67.5 mm x 44 mm x 29 mm
Weight		max. 100 g (typical)
Conformity		CE, FCC

Specifications are subject to change without prior notice.

BASLER
VISION TECHNOLOGIES

Germany, Headquarters
Phone +49 4102 463 500
Fax +49 4102 463 599
vc.sales.europe@baslerweb.com

USA
Phone +1 610 280 0171
Fax +1 610 280 7608
vc.sales.usa@baslerweb.com

Singapore
Phone +65 6425 0472
Fax +65 6425 0473
vc.sales.asia@baslerweb.com

www.basler-vc.com