

**H10X8M-II**

**8~80mm F1.2 – C-Mount**  
Compatible with 1/2" & 1/3" Cameras

**Focal Length:** 8~80mm

**Max. Relative Aperture:** 1:1.2

**Iris:** F1.2~Close

**Zoom Ratio:** 10X

**Angular Field of View:** 1/2": 43.6° × 33.4° at 8mm  
4.6° × 3.4° at 80mm  
1/3": 33.4° × 25.4° at 8mm  
3.4° × 2.6° at 80mm

**Min. Object Distance (M.O.D.):** 1.2m (From Front Vertex)

**Optical Back Focal Distance:** 15.764mm (In Air)

**Operation:** Zoom: Motorized (DC±4V~12V, Max 40mA)  
Speed Approx. 6 sec. (at 6.4V)

Focus: Motorized (DC±4V~12V, Max 40mA)  
Speed Approx. 7 sec. (at 6.4V)

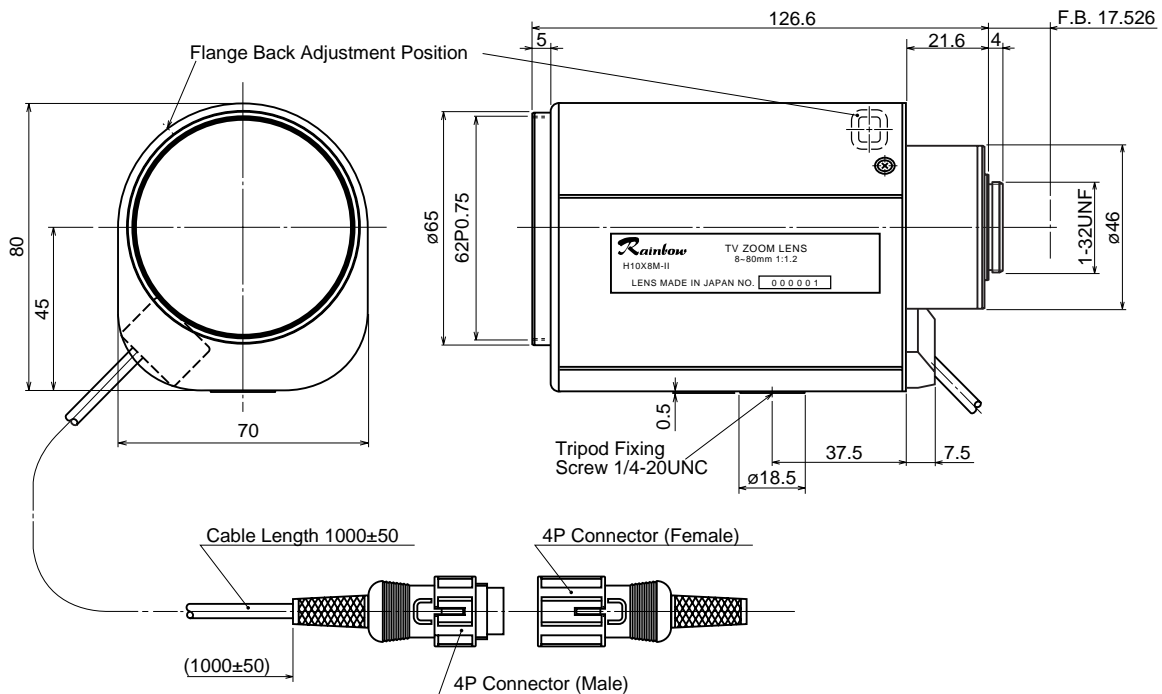
Iris: Motorized (DC±4V~12V, Max 40mA)  
Speed Approx. 3.5 sec. (at 6.4V)

**Operation Temperature:** -10 ~ +50°C (+14 ~ 122° F)

**Filter Size:** 62mm P0.75

**Mount:** C-mount  
(Adjustable Lens Postion)

**Size, Approx. Weight:** 70 × 80 × 126.6mm (w/h/d), 700g  
(Approx. 2.8 × 3.1 × 5.0in., 1.5lb.)



**– Circuit Diagram –**

