

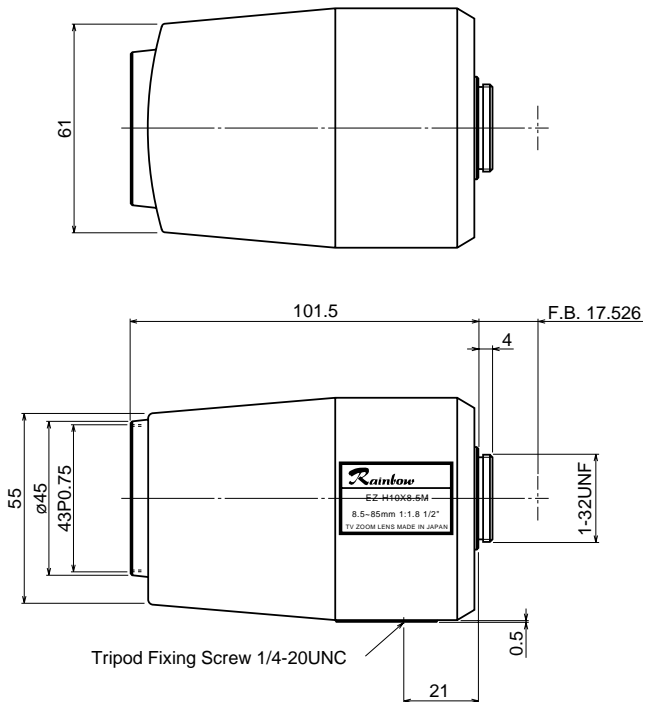
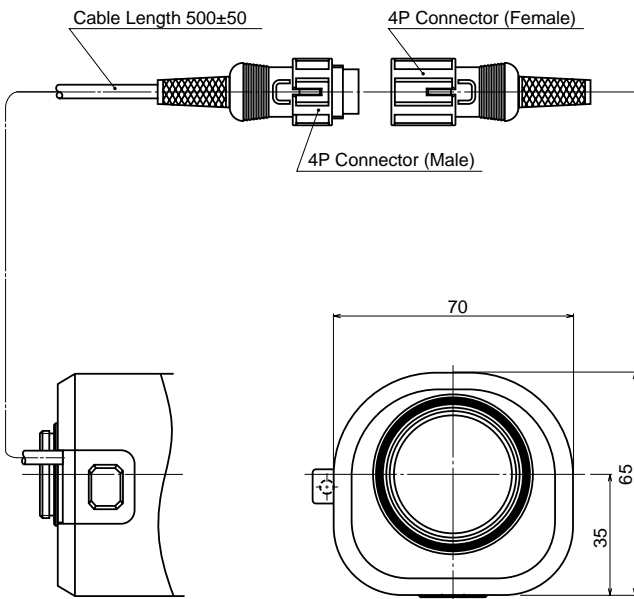
# H10X85M

## 8.5~85mm F1.8 – C-Mount

Compatible with 1/2" & 1/3" Cameras

<b>Focal Length:</b>	8.5~85mm
<b>Max. Relative Aperture:</b>	1:1.8
<b>Iris:</b>	F1.8~Close
<b>Zoom Ratio:</b>	10X
<b>Angular Field of View:</b>	1/2": 41.3° × 31.5° at 8.5mm 4.3° × 3.2° at 85mm 1/3": 31.5° × 18.0° at 8.5mm 3.2° × 1.8° at 85mm
<b>Min. Object Distance (M.O.D.):</b>	1.2m (From Front Vertex)
<b>Optical Back Focal Distance:</b>	15.56mm (In Air)

<b>Operation:</b>	Zoom:	Motorized (DC±4V~12V, Max 40mA) Speed Approx. 6.5 sec. (at 6.4V)
	Focus:	Motorized (DC±4V~12V, Max 40mA) Speed Approx. 6.5 sec. (at 6.4V)
	Iris:	Motorized (DC±4V~12V, Max 40mA) Speed Approx. 3 sec. (at 6.4V)
<b>Operation Temperature:</b>	-10 ~ +50°C (+14 ~ 122° F)	
<b>Filter Size:</b>	43mm P0.75	
<b>Mount:</b>	C-mount (Adjustable Lens Postion)	
<b>Size, Approx. Weight:</b>	70 × 65 × 101.5mm (w/h/d), 275g (Approx. 2.8 × 2.6 × 4.0in., 9.7oz.)	



### – Circuit Diagram –

