

PROSILICA

USER MANUAL

April 18, 2007

GE4900

GE4900C

Prosilica Inc. www.prosilica.com tel: 604.875.8855 fax: 604.875.8856

© 2007 Prosilica Inc. All rights reserved.

Table of Contents

Table of Contents	ii
Introduction	1
Precautions	1
Warranty	1
Specifications	2
Supported Features	3
Mechanical	4
Connections	5
Cleaning the Sensor	10
Adjusting the F-mount.....	11
Camera Installation.....	13
System Optimization	18
Trouble Shooting	20
Addendum.....	21
GE IO Schematic	22
Hirose 12-pin Trigger Schematic	23
Mini-SMB Trigger Schematic	24
Trigger Timing Diagram	25
Notes on Triggering.....	26

Introduction

The GE4900 series of cameras are sensitive, 3 frames per second, 16 megapixel, Gigabit Ethernet cameras based on the Kodak KAI-16000 CCD sensor.

Precautions



READ INSTALLATION GUIDE CAREFULLY.

This document contains specific information which is necessary for the correct operation and treatment of this product.



DO NOT OPEN THE CAMERA. WARRANTY IS VOID IF CAMERA IS OPENED.

This camera contains sensitive components which can be damaged if handled incorrectly.



KEEP SHIPPING MATERIAL.

Poor packaging of this product can cause damage during shipping.



VERIFY ALL EXTERNAL CONNECTIONS.

Verify all external connections in terms of voltage levels, power requirements, voltage polarity, and signal integrity prior to powering this device.



CLEANING.

This product can be damaged by some volatile cleaning agents. Avoid cleaning the image sensor unless absolutely necessary. Please see instructions on sensor cleaning in this document.



DO NOT EXCEED ENVIRONMENTAL SPECIFICATIONS.

See environmental specifications limits in the Specifications section of this document.

Warranty

Prosilica provides a 2 year warranty which covers the replacement and repair of all Prosilica parts which are found to be defective in the normal use of this product. Prosilica will not warranty parts which have been damaged through the obvious misuse of this product.

Specifications

Sensor Type	Kodak KAI-16000
Sensor Shutter Type	Progressive Interline
Image Resolution	4872 x 3248 pixels
Pixel Size	7.4 μ m x 7.4 μ m
Optical Format	35mm optical format (43.3mm physical diagonal)
Lens Mount	Nikon Bayonet (F-mount) -adjustable
Color Sensor Filter Pattern [†]	Bayer
Full Resolution Frame Rate	3.35 fps
Frame Rate (1024 x 1024 ROI)	7.04 fps
I/O	1 isolated TTL compatible input, 3 isolated TTL compatible outputs
Power Requirements	Less than 6.0W ^{††}
Digitization	12 Bits
Trigger latency*	4.2 μ s
Trigger Jitter*	\pm 10ns
Tpd*	90ns
Operating Temperature	0 to 50 Celsius***
Operating Humidity	20 to 80% non-condensing
Size	66mm (height) x 66mm (width) x 110mm (length)
Weight	395g (406g for GE4900C)
Hardware Interface Standard	IEEE 802.3 1000BASE-T, 100BASE-TX
Software Interface Standard	GigE Vision Standard 1.0
Regulatory	Conforms to CE, FCC

† Applies to GE4900C only.

†† Power consumption will increase with reduced ROI imaging and vertical binning.

††† Nominal operating voltage is 12V. Cameras have been tested at 12V.

* See Notes on Triggering in the Addendum.



*****DUE TO THE SMALL PACKAGING AND HIGH SPEED OF THE GE CAMERAS, SPECIAL CARE IS REQUIRED TO MAINTAIN A REASONABLE OPERATING TEMPERATURE. IF THE CAMERA IS TO BE OPERATED IN A WARM ENVIRONMENT, IT IS SUGGESTED THAT THE CAMERA BE MOUNTED ON A HEAT SINK SUCH AS A METAL BRACKET AND THAT THERE IS SUFFICIENT AIR FLOW.**

Supported Features

Imaging Modes	free-running, external trigger, fixed rate, software trigger
Fixed Rate Control	0.001 fps to maximum frame rate
External Trigger Delay	0 to 60 seconds in 1 microsecond increments
External Trigger Event	rising edge, falling edge, any edge, level high, level low
Exposure Time	10 microseconds to 60 seconds in 1 microsecond increments
Gain	0 to 28dB
Region of Interest (ROI)	independent x and y control with 1 pixel resolution***
Horizontal Binning	1 to 8 pixels
Vertical Binning	1 to full resolution of sensor***
Pixel Formats	Mono8, Mono16*, Bayer8, Bayer16
Sync Out Modes	trigger ready, trigger input, exposing, readout, imaging, strobe, GPO

*On monochrome versions only.



*****VERTICAL BINNING AND VERTICAL ROI CAN SIGNIFICANTLY INCREASE THE POWER CONSUMPTION OF THE CAMERA AND SHOULD ONLY BE USED INTERMITTENTLY AND WITH CAREFUL ATTENTION TO THE OPERATING TEMPERATURE OF THE CAMERA.**

Mechanical

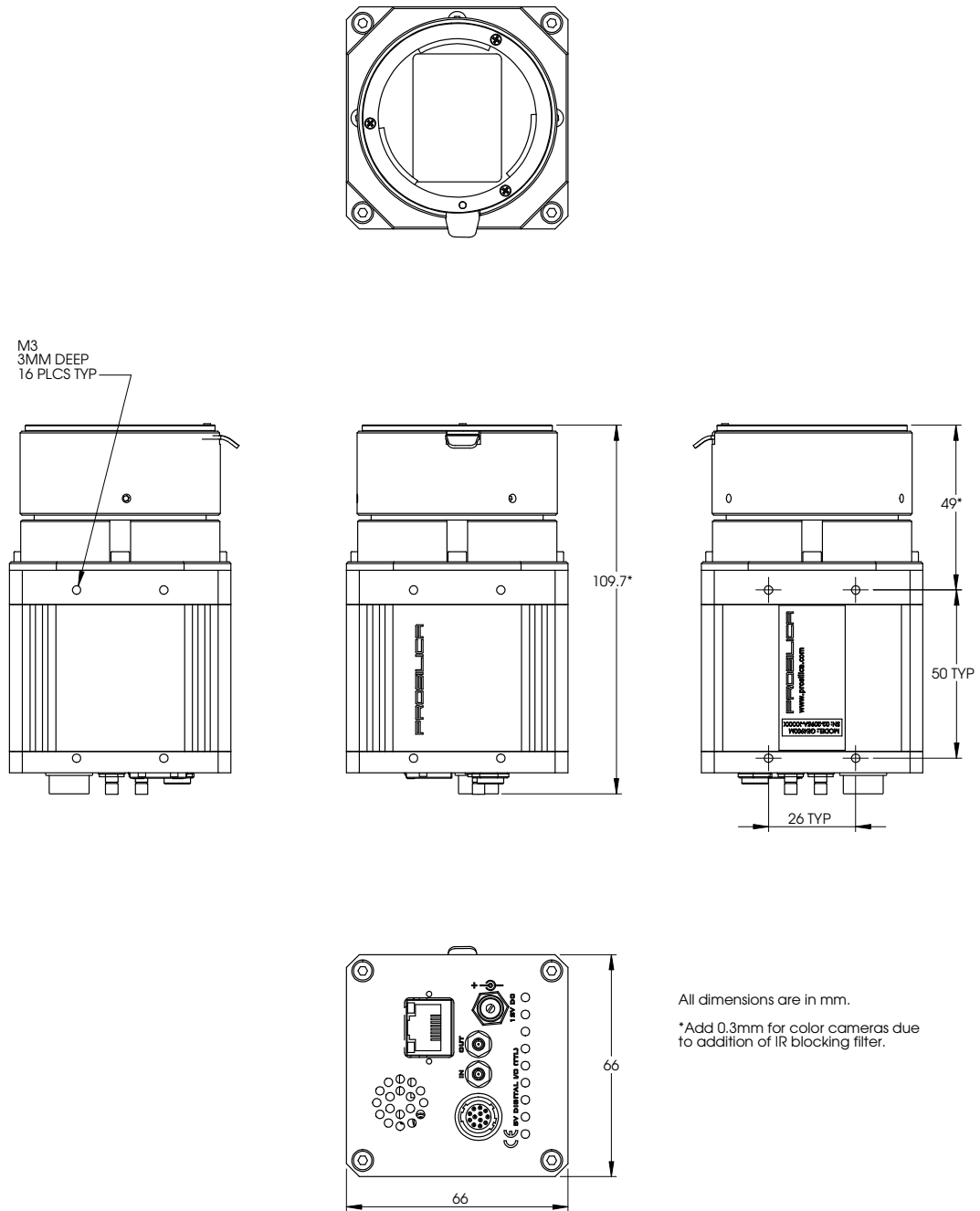


Figure 1. GE SERIES mechanical dimensions.

Connections

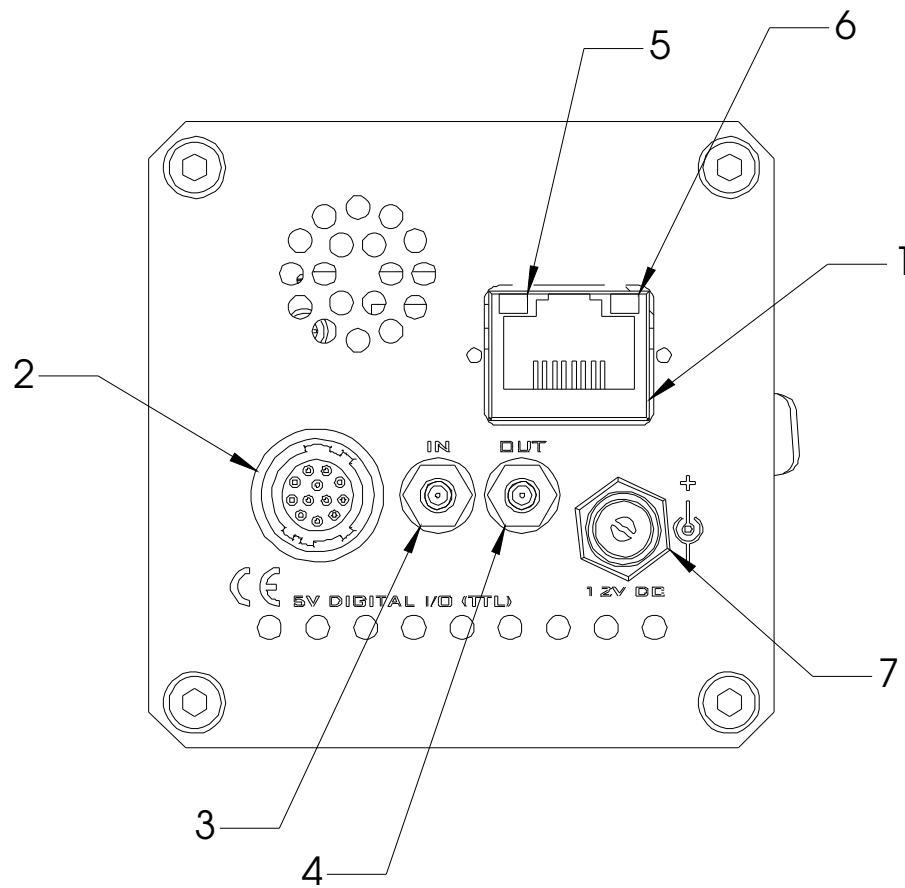
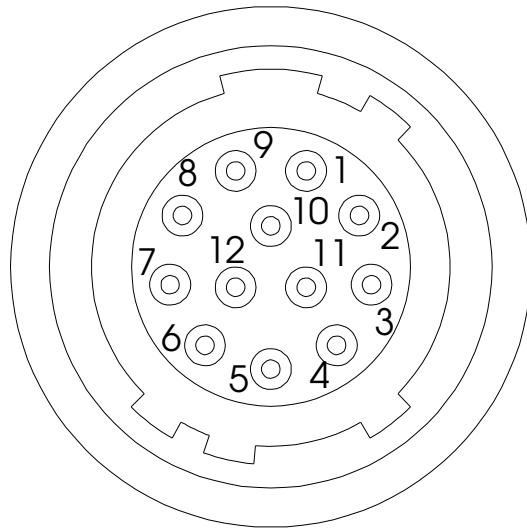


Figure 2. GE SERIES connection diagram.

Item 1: GIGABIT ETHERNET PORT

This port conforms to the IEEE 802.3 1000BASE-T standard for Gigabit Ethernet over copper. It is recommended that CAT5E or CAT6 compatible cabling and connectors be used for best performance. Cable lengths up to 100m are supported.

Item 2: General Purpose I/O PORT



PIN	FUNCTION
1	Trigger Input
2	Sync Out 2
3	Sync Out 3
4	RS-232 RXD
5	RS-232 TXD
6	DNC
7	DNC
8	DNC
9	DNC
10	Isolated Ground
11	Isolated Ground
12	Isolated Ground

Figure 3. General Purpose I/O Pin out. Camera rear view.

The General Purpose I/O port uses a Hirose HR10A-10R-12SB connector on the camera side. The mating cable connector is Hirose HR10A-10P-12P. This connector can be purchased from Prosilica or from <http://www.digikey.com>.

See Addendum for more detail.



DO NOT EXCEED 5.5V ON SIGNAL INPUTS.

All inputs and outputs are galvanically isolated from the internal camera circuitry.

TRIGGER INPUT

This input signal allows the camera to be synchronized to some external event. The camera can be programmed to trigger on the rising or falling edge of this signal. The camera can also be programmed to capture an image at some programmable delay time after the trigger event.

Sync Out 2 and Sync Out 3

These signals only function as outputs and can be configured as follows:

Exposing	Corresponds to when camera is integrating light.
Trigger Ready	Indicates when the camera will accept a trigger signal.
Trigger Input	A relay of the trigger input signal used to “daisy chain” the trigger signal for multiple cameras.
Readout	Valid when camera is reading out data.
Strobe	Programmable pulse based on one of the above events.
Imaging	Valid when camera is exposing or reading out.
GPO	User programmable binary output.

Any of the above signals can be set for active high or active low.

RS-232 RXD and RS-232 TXD

These signals are RS-232 compatible. These signals allow communication from the host system via the Ethernet port to a peripheral device connected to the camera.

ISOLATED GROUND

These signals are internally connected to isolated ground. At least one of these signals must be connected to the users external circuit ground. However, it is good practice to provide a dedicated ground return for each signal used. For example, a good cable design would connect the required signal on one conductor of a twisted pair and the isolated ground on the second conductor of the same twisted pair.

DNC

These signals are reserved for future use and should be left disconnected.

Item 3: Mini-SMB Trigger Input

The Mini-SMB port on the camera uses an Amphenol 903-406J-51R connector. A suitable mating cable connector is Amp 413985-3 which can be used with RG174 coaxial cable. Contact Prosilica to purchase cabling.

The Mini-SMB Trigger Input is internally connected to the Trigger Input (Pin 1) of the General Purpose I/O Port (Item 2 above). Therefore see this section for more detail.

Item 4: Mini-SMB Sync Out 1

This Mini-SMB port on the camera uses an Amphenol 903-406J-51R connector. A suitable mating cable connector is Amp 413985-3 which can be used with RG174 coaxial cable. Contact Prosilica to purchase cabling.

This connector is particularly useful for triggering multiple cameras in a “daisy chain” fashion.

The Sync Out 1 signal can be configured as follows:

Exposing	Corresponds to when camera is integrating light.
Trigger Ready	Indicates when the camera will accept a trigger signal.
Trigger Input	A relay of the trigger input signal used to “daisy chain” the trigger signal for multiple cameras.
Readout	Valid when camera is reading out data.
Strobe	Programmable pulse based on one of the above events.
Imaging	Valid when camera is exposing or reading out.
GPO	User programmable binary output.

Any of the above signals can be set for active high or active low.

Item 5: Status LED 1

LED COLOR	STATUS
Solid Green	Ethernet link established.
Flashing Green	Ethernet activity.

Item 6: Status LED 2

LED COLOR	STATUS
Solid Green	Normal operation.
Solid Orange	Firmware missing.
Flashing Orange	Camera fault.

Item 7: AUXILIARY POWER PORT

This port is required to provide power to the camera.

This port provides threaded captivation of the power cable if required. The captivated cable mating connector is the Switchcraft 760K. This connector can be purchased from Prosilica or from <http://www.digikey.com>.

This port can accept from 5V to 17V DC with the inner conductor being positive power and the external conductor being ground. However the suggested nominal voltage is 12V and cameras are tested at 12V.

Cameras will normally include a power supply. However compatible power supplies can also be ordered separately from Prosilica (Prosilica P/N 02-8000A for North America or Prosilica P/N 02-8001A for a Universal supply).



THE CAMERA POWER SUPPLY OPERATES MOST EFFICIENTLY AT 12V.

Cleaning the Sensor



DO NOT CONTACT CLEAN SENSOR UNLESS ABSOLUTELY NECESSARY.

Identifying Debris

Debris on the image sensor or optical components will appear as a darkened area or smudge on the image that does not move as the camera is moved. Do not confuse this with a pixel defect which will appear as a distinct point.

Locating Debris

Before attempting to clean the image sensor, it is important to first determine that the problem is due to debris on the sensor window. To do this you should be viewing a uniform image, such as a piece of paper, with the camera. Debris will appear as a dark spot or dark region that does not move as the camera is moved. To determine that the debris is not on the camera lens, rotate the lens independent of the camera. If the spot moves as the lens moves, then the object is on the lens -not on the image sensor- and therefore cleaning is not required. If the camera has an IR filter, then rotate the IR filter. If the object moves then the particle is on the IR filter not the sensor. If this is the case remove the IR filter carefully using a 2.5mm hex wrench. Clean both sides of the IR filter using the same techniques as explained below for the sensor window.



DO NOT TOUCH ANY OPTICS WITH FINGERS. OIL FROM FINGERS CAN DAMAGE FRAGILE OPTICAL COATINGS.

Cleaning with Air

If it is determined that debris is on the sensor window, then remove the camera lens, and blow the sensor window directly with clean compressed air. If canned air is used, do not shake or tilt the can prior to blowing the sensor. View a live image with the camera after blowing. If the debris is still there, repeat this process. Repeat the process a number of times with increased intensity until it is determined that the particulate cannot be dislodged. If this is the case then proceed to the contact cleaning technique.

Contact Cleaning

Only use this method as a last resort. Use 99% laboratory quality isopropyl alcohol and clean cotton swabs. Dampen the swab in the alcohol and gently wipe the sensor in a single stroke. Do not reuse the same swab. Do not wipe the sensor if the sensor and swab are both dry. You must wipe the sensor quickly after immersion in the alcohol, or glue from the swab will contaminate the sensor window. Repeat this process until the debris is gone. If this process fails to remove the debris, then contact Prosilica.

Adjusting the F-mount

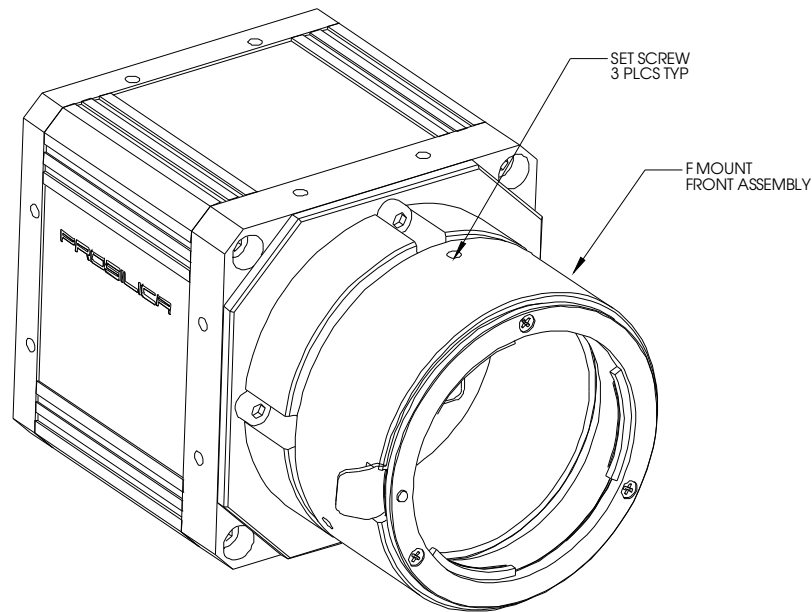


Figure 4. Camera Front View.



THE F-MOUNT IS ADJUSTED AT THE FACTORY AND SHOULD NOT REQUIRE ADJUSTING.

If for some reason, the F-mount requires adjustment, use the following method.

Attach F-mount compatible lens

Use an F-mount compatible lens that allows an infinity focus. Attach the lens to the camera using a counter-clockwise rotation of about a quarter turn. The lens should snap into place and the lens flange and camera flange should mate over the full circumference.

Loosen F-MOUNT FRONT ASSEMBLY

Use a 1.5mm hex wrench to loosen the 3 set screws which hold the F-mount front assembly to the camera body.

Image to Infinity

Set the lens to infinity and image a distant object. The distance required will depend on the lens used but typically 30 to 50 feet should suffice. Gently move the F-mount front assembly until the image is in focus. Carefully tighten the 3 set screws. Recheck the focus.

Camera Installation

Computer Interface

The Prosilica GE Series cameras will work with any Gigabit Ethernet network card; however Prosilica strongly recommends using Gigabit Ethernet components that support Jumbo Frames. A Jumbo Frame is loosely defined as a frame size greater than 1500 bytes however typical Jumbo Frames are around 9000 bytes. Frame size is the number of bytes per packet and the larger the frame size, the less the computer CPU will be loaded due to the processing of incoming packets.

There are many Gigabit Ethernet cards available which will support Jumbo Frames. The following examples have been verified to work well with the Prosilica cameras:

- Intel PRO/1000
- D-Link DGE-550T
- SMC EZ Card 1000

Gigabit Ethernet cards supporting this feature can also be purchased with the camera (Prosilica P/N 02-3002A).

Gigabit Ethernet Setup for Windows

- Install network card in computer.
- Boot the PC and cancel the “Found new Hardware Wizard” window that may appear when Windows detects the new card.
- Install the driver that came with the network card.
- Once the driver is installed, open the Network Connections Dialog as follows: From the Windows desktop select *start*, then select **Control Panel**, then double click on the **Network Connections** icon. Double click the relevant network card listed or right-click the relevant network card and select **Properties**. This will open the properties window for your network card. See Figure 5.

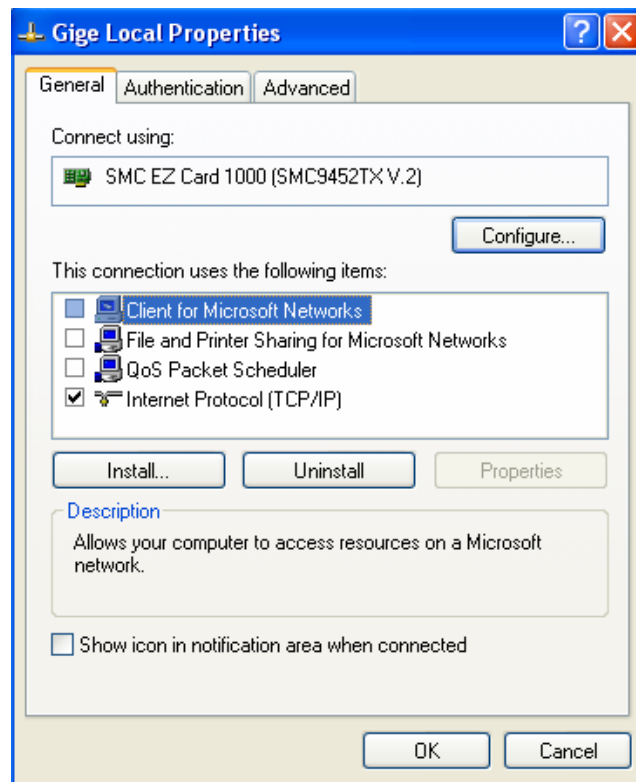


Figure 5. Network card main properties window.

- Select the **Internet Protocol (TCP/IP)** check box and then select **Properties**. See Figure 6. Network card TCP/IP address.. Select the **Use the following IP address** and enter an IP address of **169. 254. x. y**, where **x** and **y** can be any number. Press the TAB key after entering the IP address and the subnet mask will automatically be entered. The subnet mask is **255. 0. 0**. Click **OK** to save changes. Note that if Windows reports a conflict with the above IP address, simply repeat the above steps and change the last digit of the IP address to a different value.

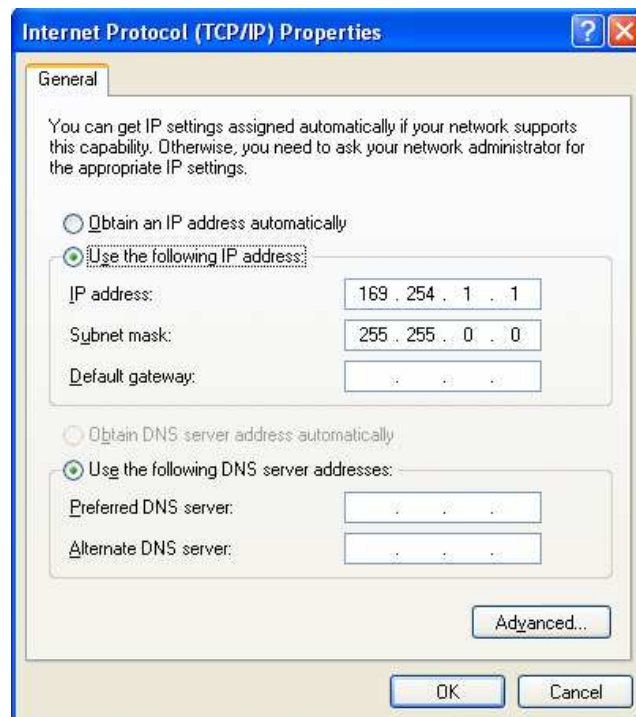


Figure 6. Network card TCP/IP address.

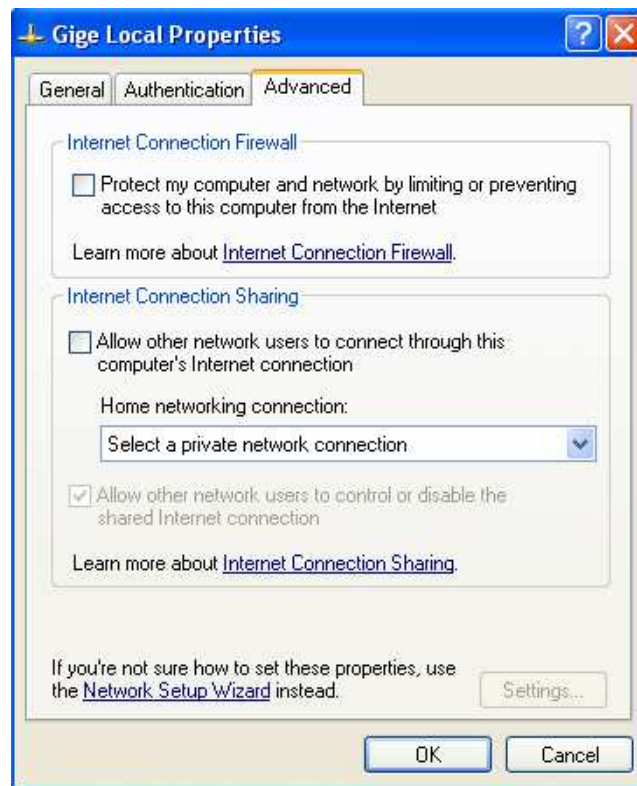


Figure 7. Turn off Firewall.

- Return to the Gige Local Properties window as in Figure 5. Select the Advanced tab as in Figure 7 and disable the Firewall for this device. Click **OK** to save changes.

Gigabit Ethernet Cabling

All Gigabit Ethernet cabling and connectors should be CAT5E or CAT6 compatible. Cable lengths must not exceed 100 meters.

Power Connection

The camera requires a 12V DC power supply that can source a minimum of 600 mA of current. See the Connections section of this document for more information.

Other Cabling

The camera can be triggered either through the 12 pin general purpose connector or the mini-SMB input. The compatible cable connectors are specified in the Connections section of this document or contact Prosilica to purchase compatible cabling. Prosilica provides SMB-to-SMB or SMB-to-BNC cabling of varying lengths.

Installing GigE Viewer for Testing

- The latest Viewer software can be downloaded from <http://www.prosilica.com/support.htm>.
- Run the GigE Viewer Installer.exe. This will install the Prosilica Digital Camera drivers as well as the Prosilica GigE Viewer application program.
- Plug in the Prosilica camera via the Gigabit Ethernet port. Plug in the power connection. Verify that the Status LED 1 is a solid green. Run the Prosilica GigE Viewer Application. It will take a few seconds for the camera to be recognized. If the camera does not appear in the Viewer list after approximately 10 seconds then try disconnecting and reconnecting the power. If it still does not appear restart the viewer. If it still does not appear, see the Trouble Shooting section of this document.
- See Figure 8. Select the *wrench* icon to change camera settings. Change the PacketSize to a value of 1500. Select the *eye* icon to image. The camera should now be imaging. If the camera is not imaging, see the Trouble Shooting section of this document. Note that the PacketSize can be set to 8228 if the network card has been optimized to support jumbo frames.
- See the System Optimization Section to maximize the performance of your system.

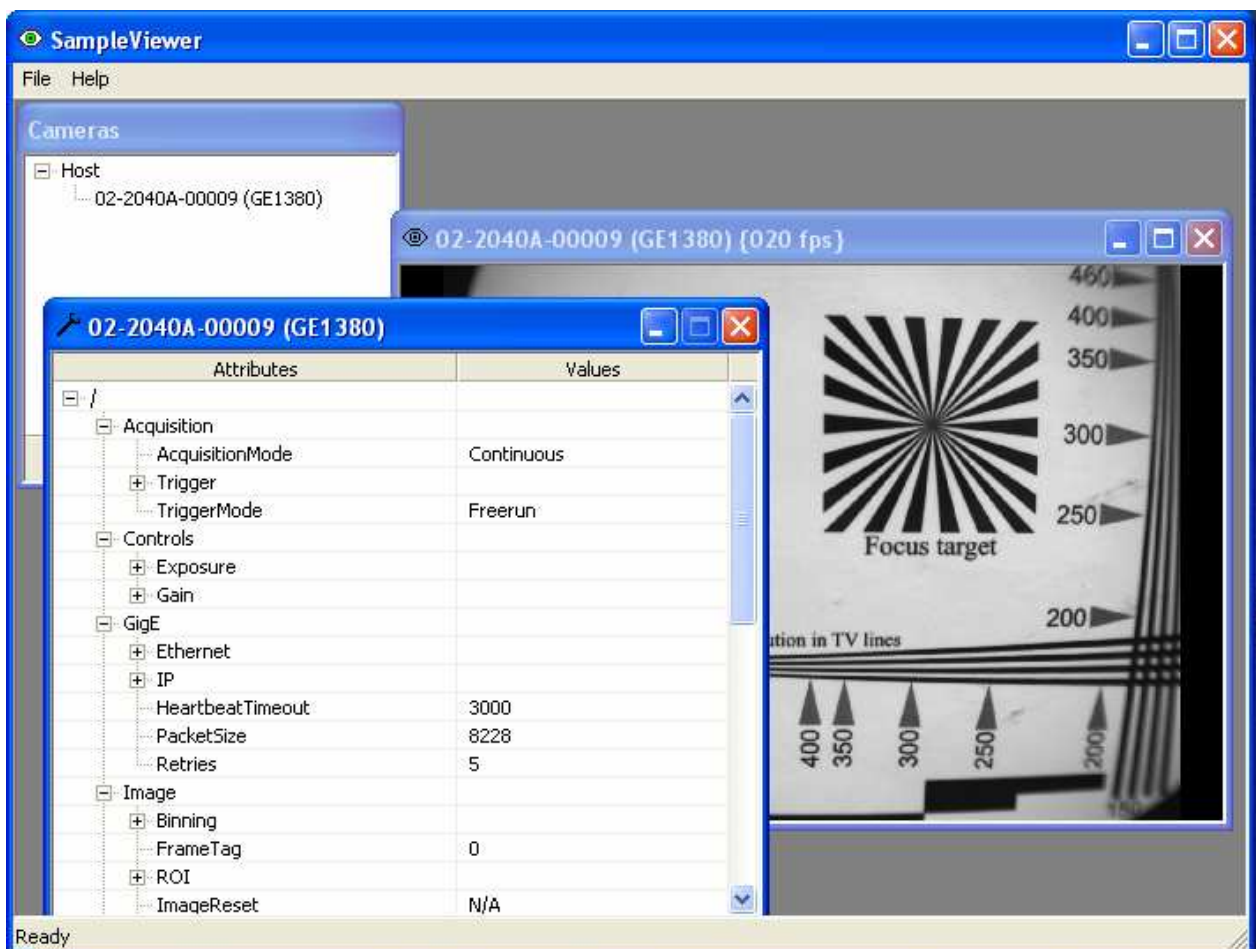


Figure 8. GigE Viewer application window.

System Optimization

- Open the Network Connections Dialog as follows: From the Windows desktop select *start*, then select *Control Panel*, then double click on the *Network Connections* icon. Double click the relevant network card listed or right-click the relevant network card and select *Properties*. This will open the properties window for your network card. See Figure 9.

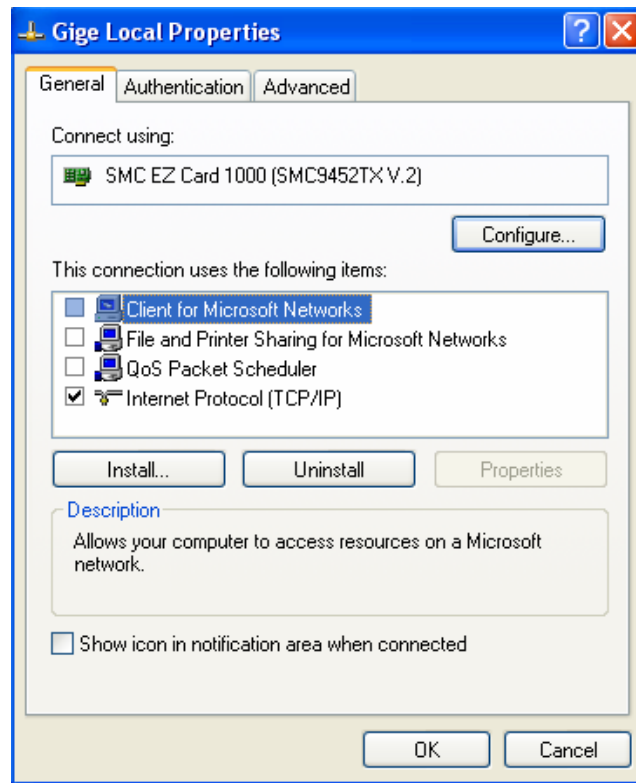


Figure 9. Network card main properties window.

- From the Properties window select *Configure* then select the *Advanced* tab. See Figure 10.

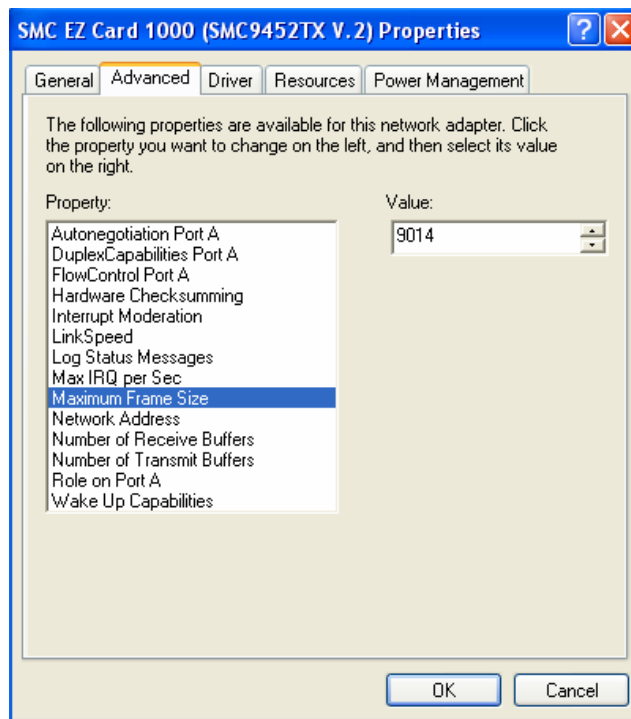


Figure 10. Network card advanced settings.

- Set **Maximum Frame Size** or **Jumbo Frames** to the maximum possible value. A typical value is **9000**. If the list contains a property called **Receive Descriptors**, then change this value to its maximum value. Select **OK** to save properties.
- From the main properties dialog as in Figure 9, make sure that only the **Internet Protocol (TCP/IP)** check box is selected then click **OK**. The card is now optimized for use with the Prosilica camera.
- Open the viewer and set the PacketSize to 8228.

Trouble Shooting

Check the Basics

- Is power available? Check the status LED 1. If the LED is off, the camera is not getting power. Verify the connections and cabling.
- Is the LED orange? This occurs if the firmware is corrupt because a firmware update was interrupted. If the LED is orange, run the firmware updater again, carefully following the instructions. If the problem persists, contact Prosilica.
- Is the LED flashing orange? This indicates a fault with the camera. If this problem persists, please contact Prosilica.

Test the Camera with the Prosilica Viewer

Download and install the Prosilica Viewer (from <http://www.prosilica.com/support.htm>).

- Can the Viewer find the camera? Is the camera listed in the main application window or is the list empty? If the camera is not listed, proceed to **Driver Issues**.
- Is the image black? If so, check the optics. Check that lens iris is fully open. Check exposure time - in room lighting, an exposure time of 30ms should be adequate to see an image. If image is still black, contact Prosilica.
- Is the image white?
 - If the camera is in external trigger mode, a snapshot will not complete until a hardware trigger is received.
 - Image data may fail to arrive at the computer if there is a problem with the driver. If you suspect a driver problem, proceed to **Driver Issues**.
- Is the image white, but the camera is not waiting for an external trigger? Do you have a lens? Check your exposure time, offset, and gain controls.
- Does the image occasionally freeze? Test the camera with an alternate Ethernet cable and card. If the problem persists, contact Prosilica.
 - An intermittent connection will result in the loss of image data, but you likely will not notice a problem when using the camera controls.

Driver Issues

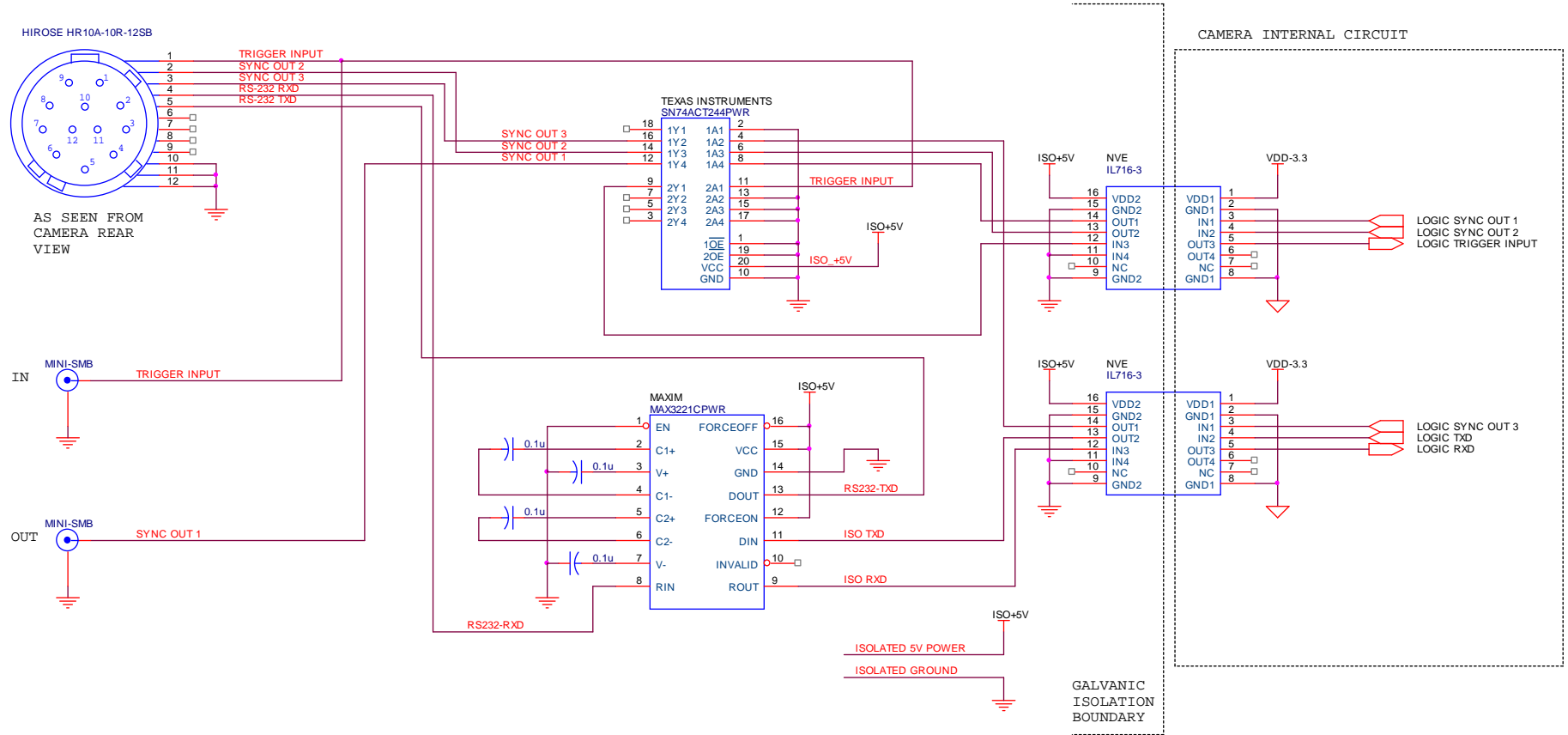
TBD.

Camera will not trigger

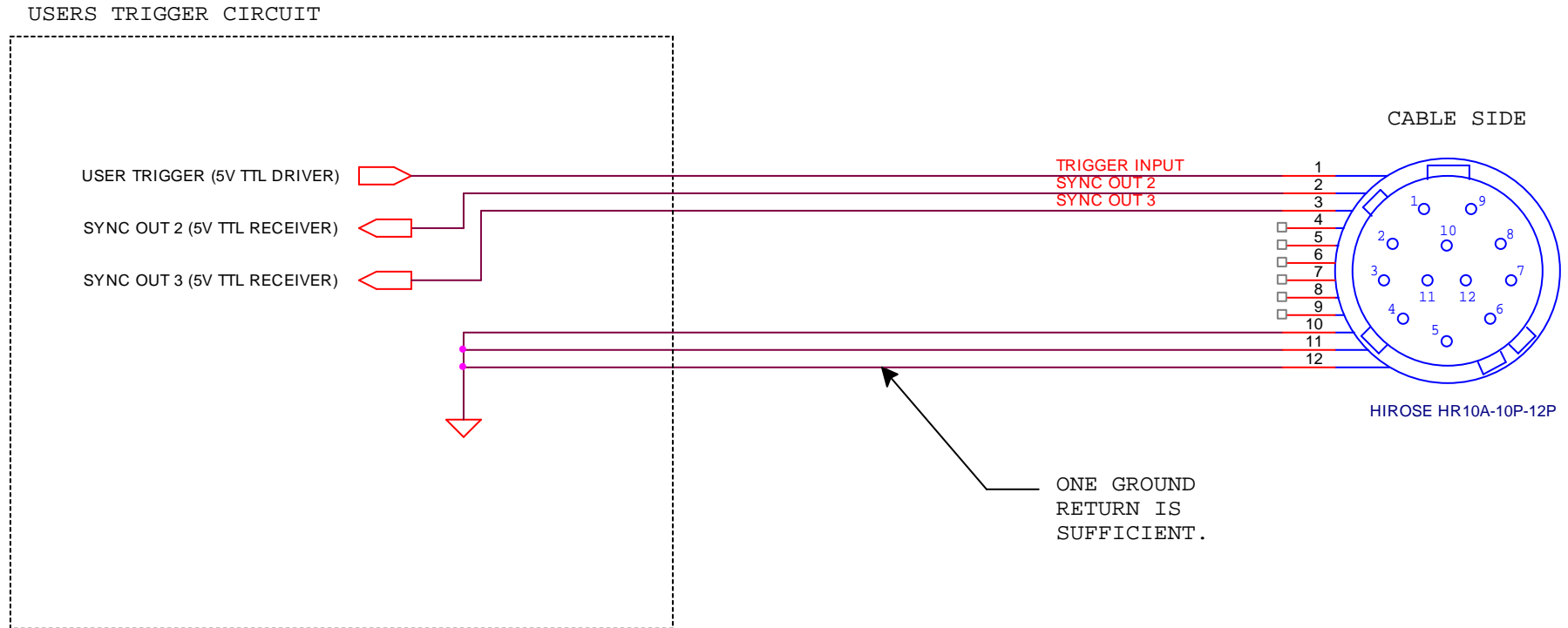
Check cabling and connections. Verify that external trigger circuit is providing a compatible trigger signal. Use the Prosilica Viewer program in trigger mode to eliminate possible software issues.

Addendum

GE IO Schematic

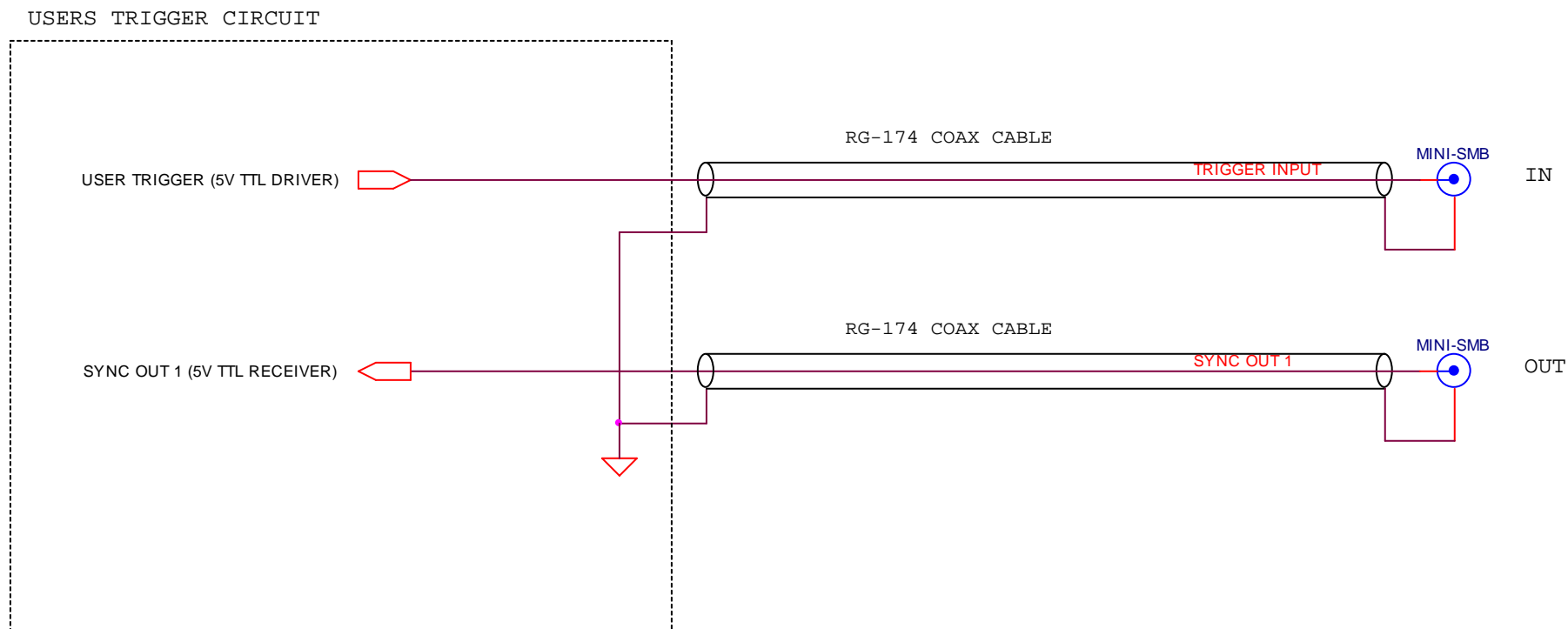


Hirose 12-pin Trigger Schematic



The trigger circuit is connected to a Texas Instruments SN74ACT244PWR buffer/driver inside the camera. The required trigger input current is less than 10uA and the maximum sync output current is 24mA. See the Texas Instruments SN74ACT244PWR for more detailed information.

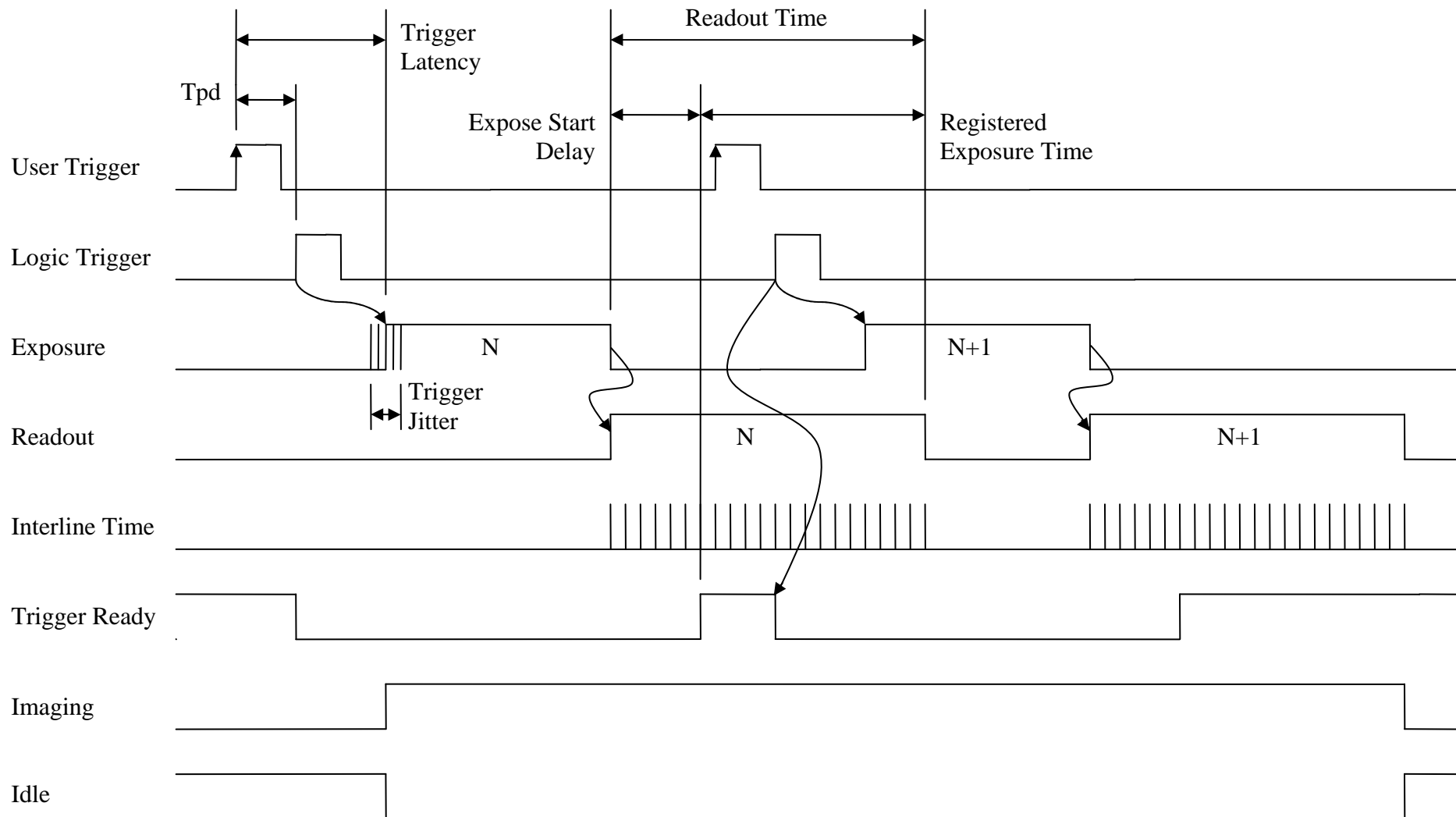
Mini-SMB Trigger Schematic



The trigger circuit is connected to a Texas Instruments SN74ACT244PWR buffer/driver inside the camera. The required trigger input current is less than 10uA and the maximum sync output current is 24mA. See the Texas Instruments SN74ACT244PWR for more detailed information.

Note that the trigger input signal is not terminated to match the cable impedance.

Trigger Timing Diagram



Notes on Triggering

Definitions

- User Trigger is the trigger signal applied by the user.
- Logic Trigger is the trigger signal seen by the camera internal logic.
- Tpd is the propagation delay between the User Trigger and the Logic Trigger.
- Exposure is high when the camera image sensor is integrating light.
- Readout is high when the camera image sensor is reading out data.
- Trigger Latency is the time delay between the User Trigger and the start of Exposure.
- Trigger Jitter is the error in the Trigger Latency time.
- Trigger Ready indicates to the user that the camera will accept the next trigger.
- Registered Exposure Time is the Exposure Time value currently stored in the camera memory.
- Expose Start Delay is the delay time from the start of Exposure to valid Trigger Ready. It is the Registered Exposure Time subtracted from the Readout time and indicates when the next Exposure cycle can begin such that the Exposure will end after the current Readout.
- Interline Time is the time between sensor row readout cycles.
- Imaging is high when the camera image sensor is either exposing and/or reading out data.
- Idle is high if the camera image sensor is not exposing and/or reading out data.

Rules

- The User Trigger pulse width should be at least three times the width of the Trigger Latency as indicated in the Specifications section of this document.
- The end of Exposure will always trigger the next Readout.
- The end of Exposure must always end after the current Readout.
- The start of Exposure must always correspond with the Interline Time if Readout is true.
- Expose Start Delay equals the Readout time minus the Registered Exposure Time.

Triggering during the Idle State

- For applications requiring the shortest possible Trigger Latency and the smallest possible Trigger Jitter the User Trigger signal should be applied when Imaging is false and Idle is true.
- In this case, Trigger Latency and Trigger Jitter are as indicated in the Specifications section.

Triggering during the Readout State

- For applications requiring the fastest triggering cycle time whereby the camera image sensor is exposing and reading out simultaneously, then the User Trigger signal should be applied as soon as a valid Trigger Ready is detected.
- In this case, Trigger Latency and Trigger Jitter can be up to 1 line time since Exposure must always begin on an Interline boundary.